



SARVA HYDRAULIK LLC

PRODUCT CATALOG



**YOUR SOURCE FOR HIGH QUALITY
HYDRAULIC VANE PRODUCTS**



SARVA HYDRAULIK LLC

I N D E X

4	S6C
6	S6D
8	S6E
10	S6CC
12	S6DC
14	S6EC
16	S6ED
18	S6DCC
20	S7BS
22	S7BBS
24	S67CB
26	S67DB
28	S67EB
30	S6EE / S6EES

OUR NEW PRODUCTS

Model No.	Max. Pressure		Max. Displacement		Max. Speed rpm	Mounting Standard
	Psi	bar	in3 / rev	cm3 / rev		
S7BS	5075	350	0.35	3.05	3600	SAE-B
S7BBS	5075	350	0.67 - 6.10	12 - 100	3600	SAE-B
S67CB	4700	325	1.01 - 9.15	17 - 150	2800	SAE-B
S67DB	4700	325	3.25 - 14.7	54 - 240	2800	SAE-C
S67EB	4700	325	8.42 - 19.45	138 - 320	2800	SAE-C
S6EE	3500	240	16.1 - 32.8	265 - 541	2200	ISO / SAE-E

The product information, specifications in this catalog are subject to change without any prior notice. All manufacturers names, numbers & descriptions are used for reference only.



SARVA HYDRAULIK LLC

GENERAL

- CHARACTERISTICS :** These vane pumps have been specially designed for high/low circuit. The combination of different cartridges in double and triple pumps allows low flow at high pressure (300 bar max.) and high flow at lower pressure. This is a smarter way to optimize your circuit design.
- GREATER FLOW :**
C : 10.8 - 100 (Cm³ / rev)
D : 47.6 - 190.5 (Cm³ / rev)
E : 132.3 - 269.8 (Cm³ / rev)
- WIDE SPEED RANGE :** Industrial pumps : from 600 to 3600 RPM
- BETTER EFFICIENCY :** Over 94 % under high pressure, which increase productivity and reduces heating and operation costs.
- LOW NOISE LEVELS :** Increase operator safety and acceptance
- MOUNTING FLEXIBILITY :**
Single Pumps : 4 Positions
Double Pumps : 32 Positions
Triple Pumps : 128 Positions
- GENERAL APPLICATION : INSTRUCTIONS**
1. Check speed range, pressure, temperature, fluid quality, viscosity and pump rotation.
 2. Check inlet conditions of the pump, if it can accept application requirement.
 3. Type of shaft : if would support operating torque.
 4. Coupling must be chosen to minimize pump shaft load (weight, misalignment)
 5. Filtration : must be adequate for lowest contamination level.
 6. Environment of pump : to avoid noise reflection, pollution and shocks.

WARRANTY POLICY

Sarva Hydraulik LLC warrants all of its products to be free from defect in material and workmanship under normal operating conditions and proper applications in accordance with the specifications for operation as described by the manufacturer for the period of six (6) months in service.

The above warranty does not cover conditions over which Materials has no control, including, pressures in excess of recommended maximum range, products damaged or subject to accident abuse or misuse after shipment from our factory, products altered or repaired by anyone other than Sarva personnel, authorized Sarva factory personnel or person so designated in writing by Sarva prior to commencement of said work.



SARVA HYDRAULIK LLC

USEFUL HYDRAULIC FORMULAS

GEOMETRIC FLOW RATE (PUMPS & MOTORS) $\text{l/min} = \frac{\text{Geometric displacement (cm}^3 / \text{rev)} \times \text{shaft speed (rpm)}}{1000}$

$\text{gpm} = \frac{\text{Geometric displacement (cm}^3 / \text{rev)} \times \text{shaft speed (rpm)}}{231}$

HYDRAULIC POWER $\text{kw} = \frac{\text{Flow rate (l / min)} \times \text{pressure (bar)}}{450}$

$\text{hp} = \frac{\text{Flow rate (gpm)} \times \text{pressure (psi)}}{1714}$

SHAFT POWER $\text{kw} = \frac{\text{Torque at shaft (Nm)} \times \text{shaft speed (rpm)}}{9550}$

$\text{hp} = \frac{\text{Torque at shaft (lb-in)} \times \text{shaft speed (rpm)}}{63025}$

CONVERSION FACTORS

- 1 Mpa = 10 Bar
- 1 Ltr. = 0.264 Gallons(US)
- 1 Bar = 1.02 Kg / cm²
- 1 Bar = 14.5 Psi
- 1 Kw. = 1.341 Hp



SARVA HYDRAULIK LLC

ORDERING CODE - S6C SERIES

S6C * - B14 - 1 L 00 - S 1

Series —————

***Y** - Metric port connection, Omit for UNC

Cam ring —————

Volumetric displacement cm³/rev (in³/rev)

B03 = 10.8 (0.66)	B15 = 50.5 (3.08)
B05 = 17.2 (1.05)	B17 = 58.3 (3.56)
B06 = 21.3 (1.30)	B20 = 63.8 (3.89)
B08 = 26.4 (1.61)	B22 = 70.3 (4.29)
B10 = 34.1 (2.08)	B25 = 79.3 (4.84)
B12 = 37.1 (2.26)	B28 = 88.8 (5.42)
B14 = 46.0 (2.81)	B31 = 100.0 (6.10)

Type of shaft —————

1 - keyed (SAE B)
 2 - keyed (no SAE)
 3 - splined (SAE B)
 4 - splined (SAE BB)

Seal class

1 - S1 (for mineral oil)
 4 - S4 (for fire resistant fluids)
 5 - S5 (for mineral oil and fire resistant fluids)

Design letter

Porting combination

00 - standard

00

01

02

03

Direction of rotation (view on shaft end)

R - clockwise
 L - counter-clockwise

OPERATING CHARACTERISTICS - TYPICAL (24 cST)

Pressure port	Series	Volumetric Displacement V _p		Flow q & n = 1500 rpm						Input power p & n = 1500 rpm					
		in ³ /rev	cm ³ /rev	p = 0 bar (0 psi)		p = 140 bar (2000 psi)		p = 240 bar (3500 psi)		p = 7 bar (100 psi)		p = 140 bar (2000 psi)		p = 240 bar (3500 psi)	
				gpm	lpm	gpm	lpm	gpm	lpm	hp	kw	hp	kw	hp	kw
S6C	B03	0.66	10.8	4.29	16.2	2.96	11.2	2.04	7.7	1.74	1.3	7.11	5.3	11.26	8.4
	B05	1.05	17.2	6.83	25.8	5.50	20.8	4.57	17.3	1.88	1.4	10.06	7.5	16.36	12.2
	B06	1.30	21.3	8.44	31.9	7.11	26.9	6.19	23.4	2.01	1.5	11.94	8.9	19.71	14.7
	B08	1.61	26.4	10.48	39.6	9.15	34.6	8.22	31.1	2.15	1.6	14.35	10.7	22.93	17.7
	B10	2.08	34.1	13.52	51.1	12.19	46.1	11.26	42.6	2.28	1.7	18.64	13.4	29.90	22.3
	B12	2.26	37.1	14.71	55.6	13.36	50.6	12.46	47.1	2.28	1.7	19.31	14.4	32.32	24.1
	B14	2.81	46.0	18.25	69.0	16.93	64.0	16.00	60.5	2.55	1.9	23.60	17.6	39.56	29.5
	B15	3.08	50.5	20.00	75.6	18.73	73.2	19.02	67.5	2.68	2.0	25.61	19.1	42.91	32.0
	B17	3.56	58.3	23.12	87.4	21.79	82.4	20.87	78.9	2.82	2.1	29.37	21.9	49.48	36.9
	B20	3.89	63.8	25.32	95.7	23.99	90.7	23.07	87.2	2.95	2.2	31.92	23.8	53.91	40.2
	B22	4.29	70.3	27.88	105.4	26.56	100.4	25.63	96.9	3.08	2.3	35.00	26.1	59.14	44.1
	B25 ⁽¹⁾	4.84	79.3	31.46	118.9	30.13	113.9	29.21	110.4	3.35	2.5	39.16	29.2	66.38	49.5
	B28 ⁽¹⁾	5.42	88.8	35.24	133.2	33.92	128.2	--	--	3.75	2.8	43.85	32.7	--	--
	B31 ⁽¹⁾	6.10	100.0	39.68	150.0	38.35	145.0	--	--	3.75	2.8	48.95	36.5	--	--

(1) B25-B28-B31 = 2500 RPM. max.

(2) B28-B31 = 210 bar (3000 psi) max int.

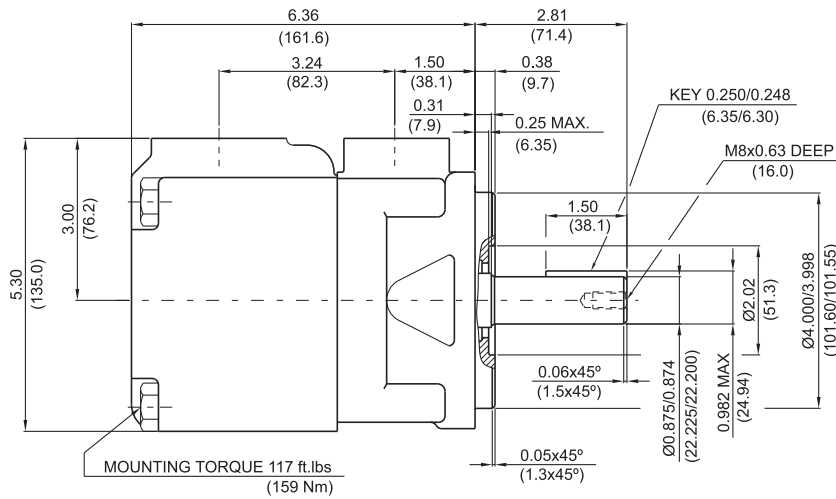
B05-B22 Peak Pressure 300 bar



SARVA HYDRAULIK LLC

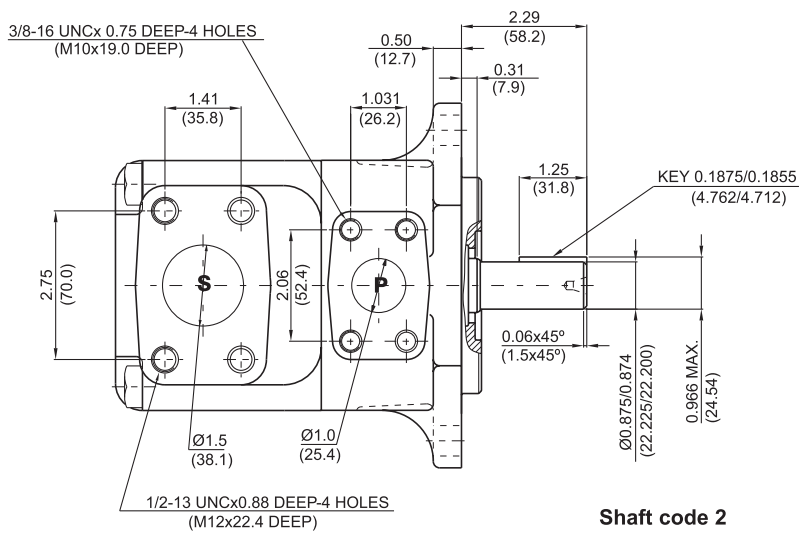
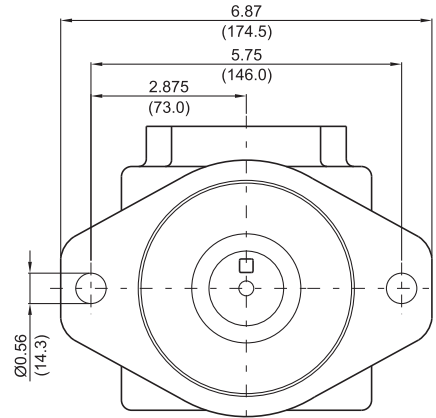
DIMENSIONS - S6C SERIES

WEIGHT : 15.5 Kg.

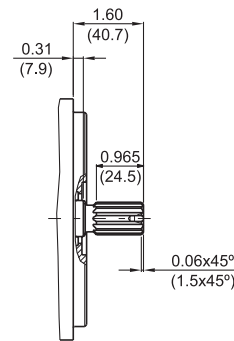


MOUNTING TORQUE 117 ft.lbs
(159 Nm)

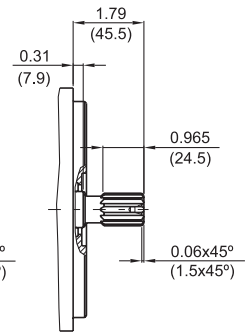
Shaft code 1
(Keyed SAE B)



Shaft code 2
(Keyed no SAE)



Shaft code 3
SAE B splined shaft
Class 1-J498b
16/32 dp. 13 teeth
30° pressure angle
flat root side fit



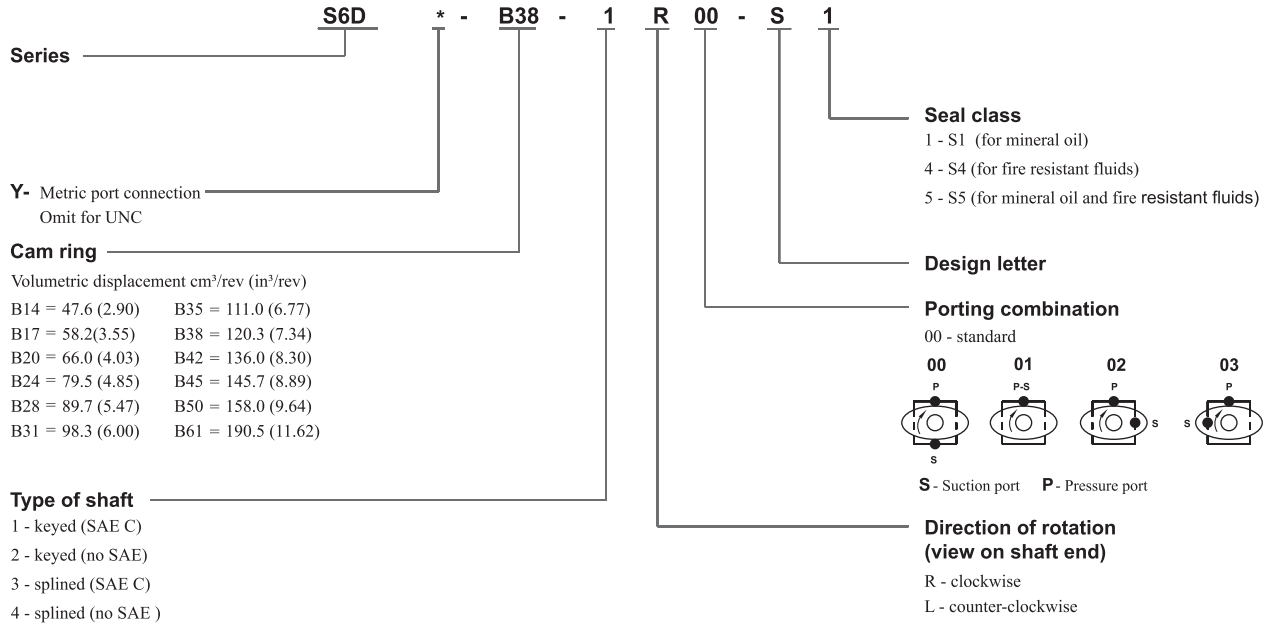
Shaft code 4
SAE BB splined shaft
Class 1-J498b
16/32 dp. 15 teeth
30° pressure angle
flat root side fit

Shaft torque limits in ³ /rev x psi (ml/rev x bar)	
Shaft	Vp x p max.
1	14473 (16500)
2	12666 (14300)
3	18246 (20600)
4	19309 (21821)



SARVA HYDRAULIK LLC

ORDERING CODE - S6D SERIES



OPERATING CHARACTERISTICS - TYPICAL (24 cST)

Pressure port	Series	Volumetric Displacement V _p		Flow q & n = 1500 rpm						Input power p & n = 1500 rpm					
				p = 0 bar (0 psi)		p = 140 bar (2000 psi)		p = 240 bar (3500 psi)		p = 7 bar (100 psi)		p = 140 bar (2000 psi)		p = 240 bar (3500 psi)	
		in ³ /rev	cm ³ /rev	gpm	lpm	gpm	lpm	gpm	lpm	hp	kw	hp	kw	hp	kw
S6D	B14	2.90	47.6	18.88	71.4	16.42	62.1	14.78	55.9	3.08	2.3	24.81	18.5	41.03	30.6
	B17	3.55	58.2	23.1	87.3	20.6	78.0	18.99	71.8	3.35	2.5	29.77	22.2	49.62	37.0
	B20	4.00	66.0	26.19	99.0	23.73	89.7	22.08	83.5	3.75	2.8	33.39	24.9	55.92	41.7
	B24	4.80	79.5	31.56	119.3	29.10	110.0	27.46	103.8	4.02	3.0	39.69	29.6	66.78	49.8
	B28	5.50	89.7	35.58	134.5	33.12	125.2	31.48	119.0	4.29	3.2	44.52	33.2	74.96	55.9
	B31	6.00	98.3	39.00	147.5	36.53	138.1	34.89	131.9	4.42	3.3	48.54	36.2	81.80	61.0
	B35	6.80	111.0	44.04	166.5	41.58	157.2	39.94	151.0	4.69	3.5	54.58	40.7	92.13	68.7
	B38	7.30	120.3	47.72	180.4	45.26	171.1	43.62	164.9	4.96	3.7	58.87	43.9	99.64	74.3
	B42 ¹⁾	8.30	136.0	53.96	204.0	51.50	194.7	49.86	188.5	5.36	4.0	66.25	49.4	112.24	83.7
	B45 ¹⁾	8.89	145.7	57.80	218.5	55.34	209.2	53.70	203.0	5.50	4.1	70.81	52.8	120.02	89.5
	B50 ^{1,2)}	9.64	158.0	62.69	237.0	60.23	227.7	--	--	5.90	4.4	76.44	57.0	--	--
B61 ^{1,3)}	11.62	190.5	76.25	285.7	73.54	278.0	--	--	6.16	4.6	81.26	60.6	--	--	

1) 042-045-050-061=2200 RPM max.
2) 050=210 bar (3000 psi) max. int.
3) 061 = 120 bar (1740 psi) max. int, 061 = 80 bar (1160 psi) cont.

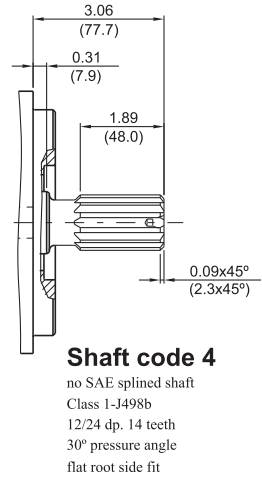
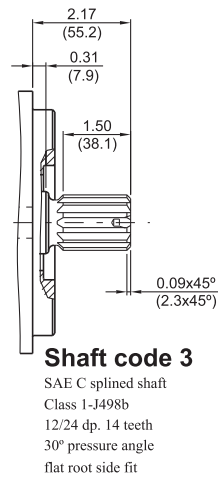
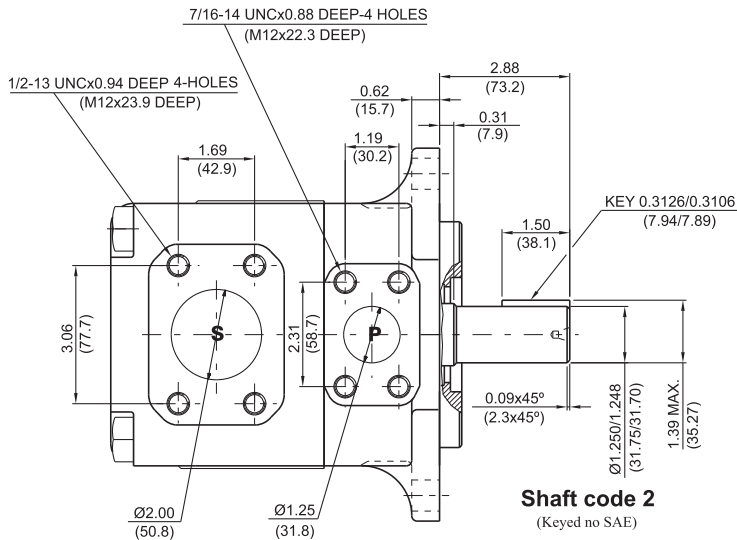
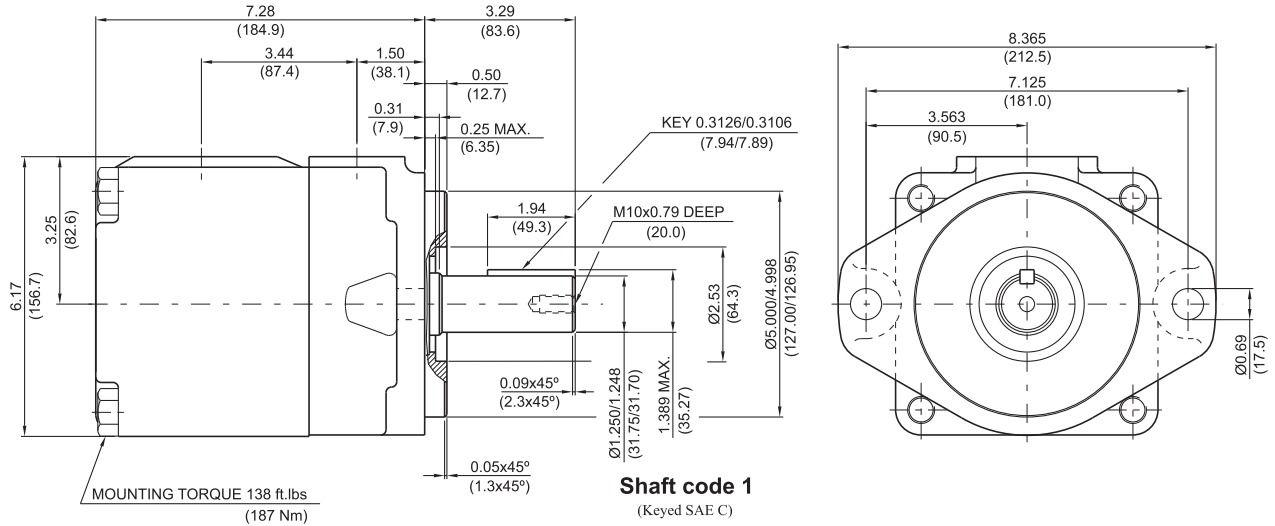
B14-B38 Peak Pressure 270 bar



SARVA HYDRAULIK LLC

DIMENSIONS - S6D SERIES

WEIGHT : 24.1 Kg.



Shaft torque limits in ³ /rev x psi (ml/rev x bar)	
Shaft	V _p x p max.
1	38299 (43283)
2	30638 (34590)
3	54207 (61200)
4	54207 (61200)



SARVA HYDRAULIK LLC

ORDERING CODE - S6E SERIES

S6E * - 052 - 1 R 00 - S 1

Series _____

Y - Metric port connection, Omit for UNC _____

Cam ring _____

Volumetric displacement cm³/rev (in³/rev)

042 = 132.3 (8.07)
 045 = 142.4 (8.69)
 050 = 158.5 (9.67)
 052 = 164.8 (10.06)
 057 = 180.7 (11.02)
 062 = 196.7 (12.00)
 066 = 213.3 (13.02)
 072 = 227.1 (13.86)
 085 = 269.8 (16.46)

Type of shaft _____

1 - keyed (SAE CC)
 2 - keyed (no SAE)
 3 - splined (SAE C)
 4 - splined (SAE CC)

Seal class

1 - S1 (for mineral oil)
 4 - S4 (for fire resistant fluids)
 5 - S5 (for mineral oil and fire resistant fluids)

Design letter

Porting combination

00 - standard

00

01

02

03

S Suction port **P** - Pressure port

Direction of rotation (view on shaft end)

R - clockwise
 L - counter-clockwise

OPERATING CHARACTERISTICS - TYPICAL (24 cST)

Pressure port	Series	Volumetric Displacement V _p		Flow q & n = 1500 rpm						Input power r p & n = 1500 rpm					
				p = 0 bar (0 psi)		p = 140 bar (2000 psi)		p = 240 bar (3500 psi)		p = 7 bar (100 psi)		p = 140 bar (2000 psi)		p = 240 bar (3500 psi)	
		in ³ /rev	cm ³ /rev	gpm	lpm	gpm	lpm	gpm	lpm	hp	kw	hp	kw	hp	kw
S6E	042	8.07	132.3	52.50	198.5	49.87	188.5	47.96	181.3	6.97	5.2	66.25	49.4	110.77	82.6
	045	8.70	142.4	56.51	213.6	53.86	203.6	51.98	196.5	7.24	5.4	70.94	52.9	118.95	88.7
	050	9.67	158.5	62.88	237.7	60.24	227.7	58.36	220.6	7.64	5.7	78.45	58.5	131.82	98.3
	052	10.00	164.8	65.40	247.2	62.75	237.2	60.87	230.1	7.78	5.8	81.53	60.8	136.92	102.1
	057	11.02	180.7	71.71	271.1	69.07	261.1	67.19	254.0	8.18	6.1	89.04	66.4	143.35	106.9
	062	12.00	196.7	78.04	295.0	75.40	285.0	73.52	277.9	8.58	6.4	96.42	71.9	162.67	121.3
	066	13.00	213.3	84.63	319.9	81.98	309.9	80.11	302.8	8.98	6.7	104.20	77.7	175.94	131.2
	072	13.86	227.1	90.11	340.6	87.46	330.6	--	--	9.25	6.9	110.77	82.6	--	--
	085 ¹⁾	16.40	269.8	107.00	404.7	105.21 ²⁾	397.7 ²⁾	--	--	9.78	7.3	87.56 ²⁾	65.3 ²⁾	--	--

1) 085 = 2000 RPM max.

2) 085 = 75 bar (1100 psi) cont.

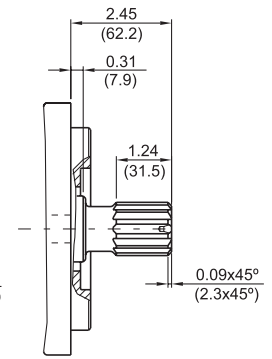
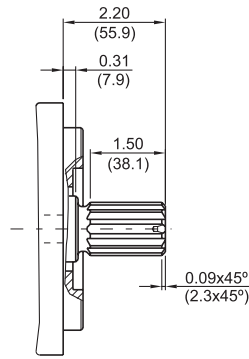
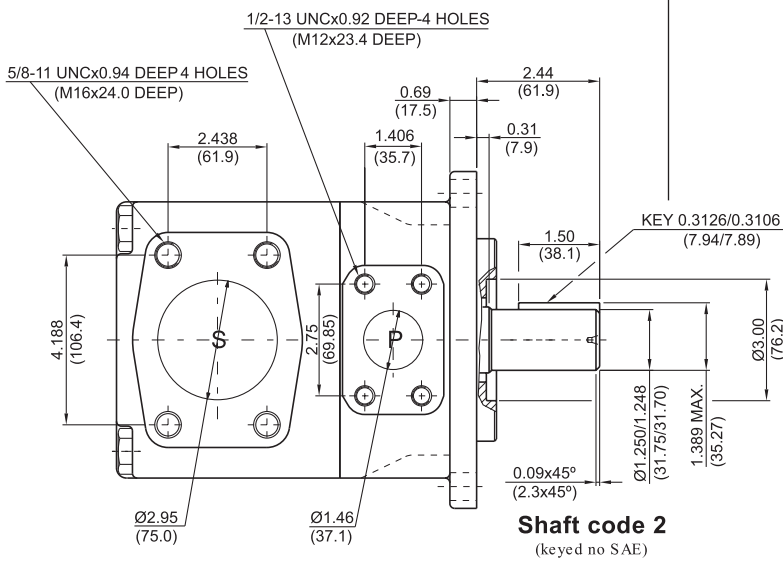
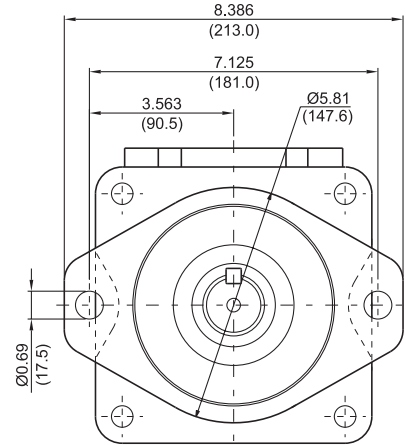
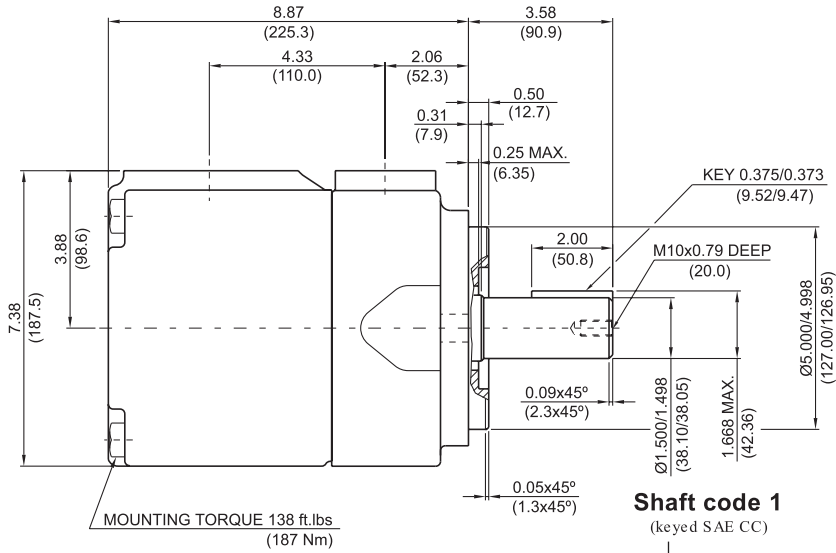
085 = 90 bar (1300 psi) max. int.



SARVA HYDRAULIK LLC

DIMENSIONS - S6E SERIES

WEIGHT : 43.4 Kg.

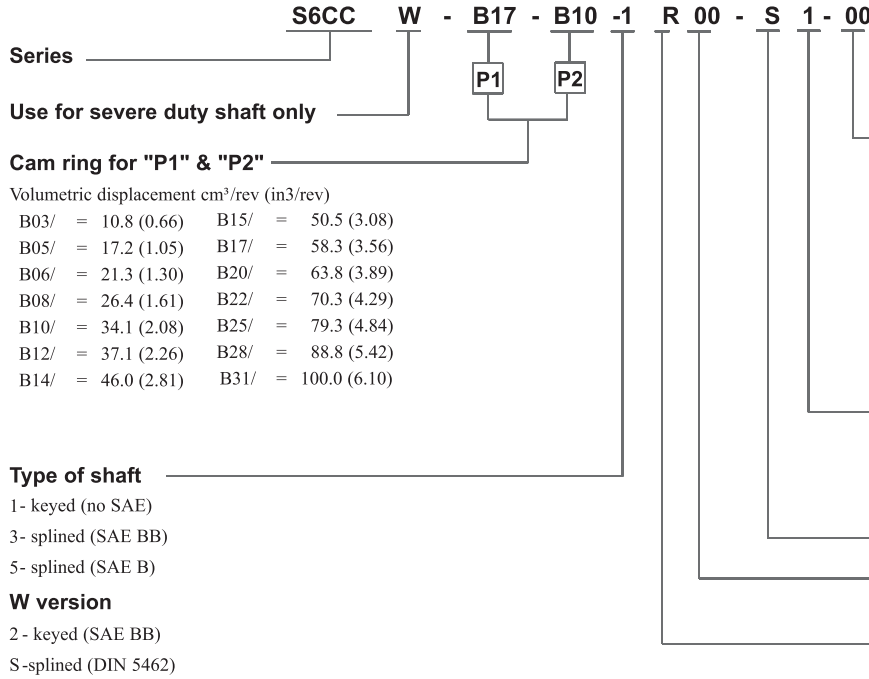


Shaft torque limits in ³ /rev x psi (ml/rev x bar)	
Shaft	Vp x p max.
1	48273 (54555)
2	30638 (34590)
3	54207 (61200)
4	54207 (61200)



SARVA HYDRAULIK LLC

ORDERING CODE - S6CC SERIES



Mounting W/connection variables

P2	P1=1" -S=3"		P1=1" - S=21" ²⁾		
	1"	3/4" ¹⁾	1"	3/4" ¹⁾	
code	Unc	00	01	10	11
	Metric	0M	W0	1M	W1

1) for 46 ml/rev max.
 2) for 126 ml/rev max.
 The large cartridge must be always mounted in the front.

Seal class

- 1 - S1 (for mineral oil)
- 4 - S4 (for fire resistant fluids)
- 5 - S5 (for mineral oil and fire resistant fluids)

Design letter

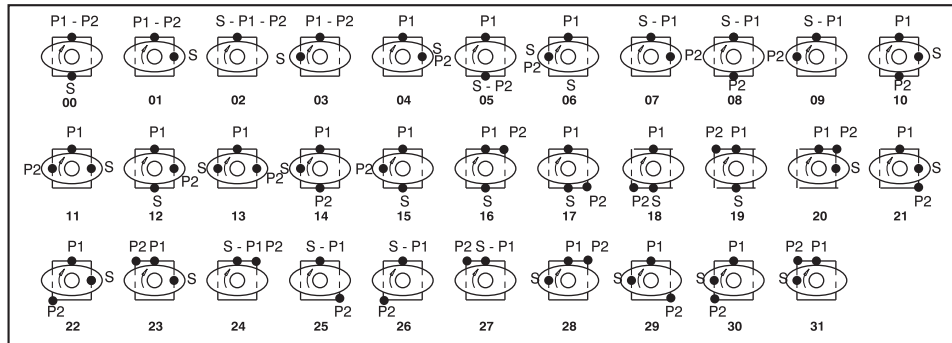
Porting combination

00 - standard

Direction of rotation (view on shaft end)

- R - clockwise
- L - counter-clockwise

Porting Diagrams



OPERATING CHARACTERISTICS - TYPICAL (24 cST) (Input power p (KW) for one cartridge only)

Pressure port	Series	Volumetric Displacement Vp		Flow q & n = 1500 rpm						Input power p & n = 1500 rpm					
		In ³ /rev	cm ³ /rev	p = 0 bar (0 psi)		p = 140 bar (2000 psi)		p = 240 bar (3500 psi)		p = 7 bar (100 psi)		p = 140 bar (2000 psi)		p = 240 bar (3500 psi)	
				gpm	lpm	gpm	lpm	gpm	lpm	hp	kw	hp	kw	hp	kw
P1 & P2	B03	0.66	10.8	4.29	16.2	2.96	11.2	2.04	7.7	1.74	1.3	7.11	5.3	11.22	8.4
	B05	1.05	17.2	6.83	25.8	5.50	20.8	4.57	17.3	1.88	1.4	10.06	7.5	16.36	12.2
	B06	1.30	21.3	8.44	31.9	7.11	26.9	6.19	23.4	2.01	1.5	11.94	8.9	19.71	14.7
	B08	1.61	26.4	10.48	39.6	9.15	34.6	8.22	31.1	2.15	1.6	14.35	10.7	22.93	17.7
	B10	2.08	34.1	13.52	51.1	12.19	46.1	11.26	42.6	2.28	1.7	18.64	13.4	29.90	22.3
	B12	2.26	37.1	14.71	55.6	13.36	50.6	12.46	47.1	2.28	1.7	19.31	14.4	32.32	24.1
	B14	2.81	46.0	18.25	69.0	16.93	64.0	16.00	60.5	2.55	1.9	23.60	17.6	39.56	29.5
	B15	3.08	50.5	20.00	75.6	18.73	73.2	19.02	67.5	2.68	2.0	25.61	19.1	42.91	32.0
	B17	3.56	58.3	23.12	87.4	21.79	82.4	20.87	78.9	2.82	2.1	29.37	21.9	49.48	36.9
	B20	3.89	63.8	25.32	95.7	23.99	90.7	23.07	87.2	2.95	2.2	31.92	23.8	53.91	40.2
	B22	4.29	70.3	27.88	105.4	26.56	100.4	25.63	96.9	3.08	2.3	35.00	26.1	59.14	44.1
	B25 ¹⁾	4.84	79.3	31.46	118.9	30.13	113.9	29.21	110.4	3.35	2.5	39.16	29.2	66.38	49.5
	B28 ¹⁾	5.42	88.8	35.24	133.2	33.92	128.2	--	--	3.75	2.8	43.85	32.7	--	--
B31 ¹⁾	6.10	100.0	39.68	150.0	38.35	145.0	--	--	3.75	2.8	48.95	36.5	--	--	

(1) B25-B28-B31 = 2500 RPM. max.

(2) B28-B31 = 210 bar (3000 psi) max. int.

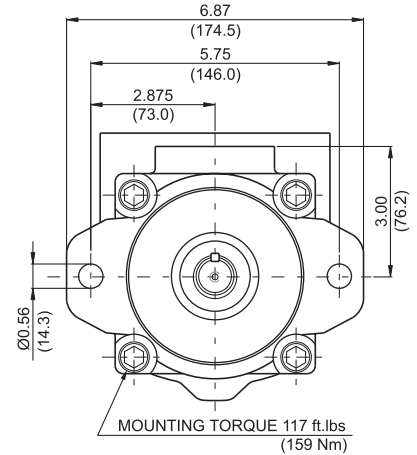
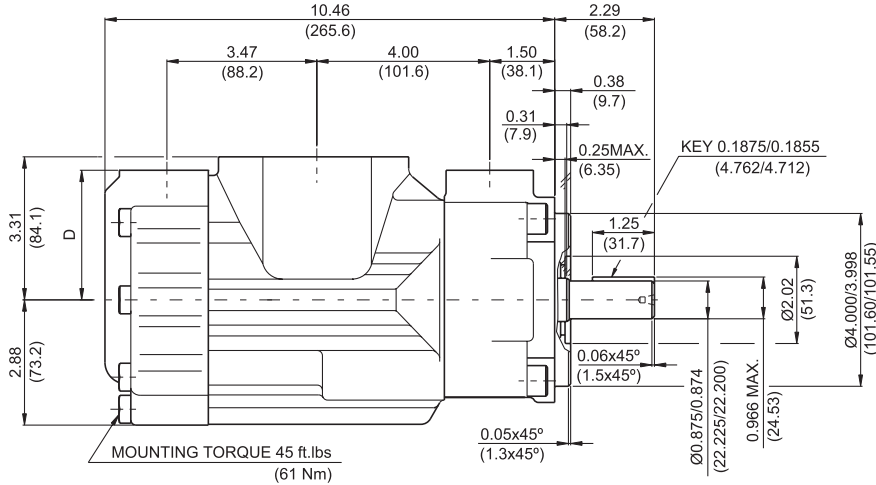
B05-B22 Peak Pressure 300 bar



SARVA HYDRAULIK LLC

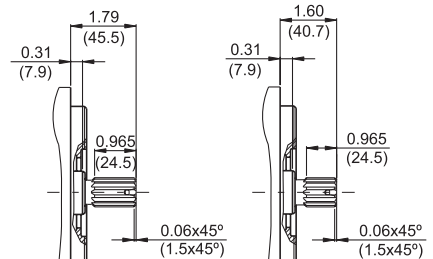
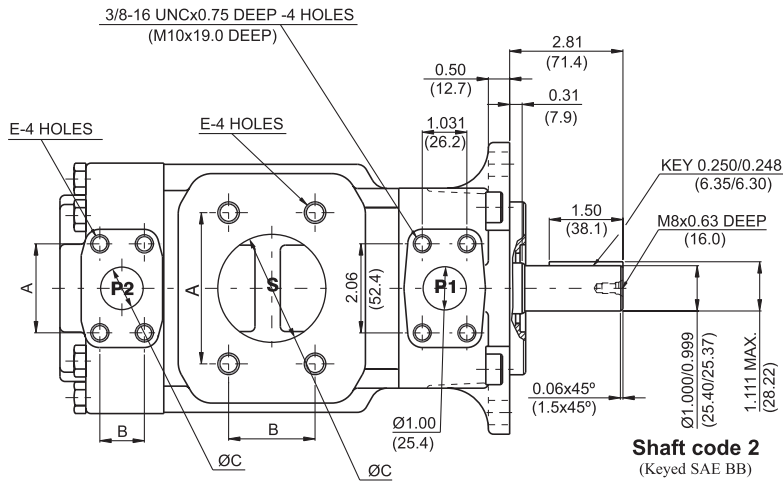
DIMENSIONS - S6CC SERIES

WEIGHT : 26 Kg.



Shaft code 1
(Keyed no SAE)

S6CCW



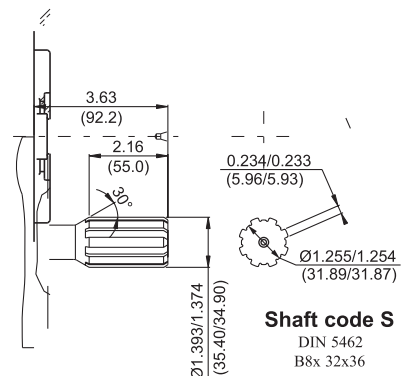
Shaft code 3
SAE BB splined shaft
Class 1-J498b
16/32 dp. 15 teeth
30° pressure angle
Flat root side fit

Shaft code 5
SAE B splined shaft
Class 1-J498b
16/32 dp. 13 teeth
30° pressure angle
Flat root side fit

Shaft code 2
(Keyed SAE BB)

Shaft torque limits in ³ /rev x psi(ml/rev x bar)	
Shaft	Vp x p max. (P1+P2)
1	12666 (14300)
2	18972 (21420)
3	28937 (32670)
5	18246 (20600)

PORT	A	B	C	D	E
S	4.19 (106.4)	2.44 (61.9)	3.00 (76.2)		5/8-11UNCx1.12 DEEP (M16x28.4 DEEP)
S	3.50 (88.9)	2.00 (50.8)	2.50 (63.5)		1/2-13UNCx0.94 DEEP M12x24.0 DEEP
P2	1.874 (47.6)	0.874 (22.2)	0.75 (19.0)	3.00 (76.2)	3/8-16UNCx0.75 DEEP (M10x19.0 DEEP)
P2	2.06 (52.4)	1.03 (26.2)	1.00 (25.4)	2.94 (74.7)	



Shaft code S
DIN 5462
B8x 32x36



SARVA HYDRAULIK LLC

ORDERING CODE - S6DC SERIES

Series S6DC **severe duty shaft only** W **Cam ring for "P1"** B45 B17 **Cam ring for "P2"** 1 **Direction of rotation** R **Porting combination** 00 **Design letter** S **Seal class** 1 **Type of shaft** 00

Volumetric displacement cm³/rev (in³/rev)

B14 = 47.6 (2.90) B35 = 111.0 (6.77)
 B17 = 58.2 (3.55) B38 = 120.3 (7.34)
 B20 = 66.0 (4.03) B42 = 136.0 (8.30)
 B24 = 79.5 (4.85) B45 = 145.7 (8.89)
 B28 = 89.7 (5.47) B50 = 158.0 (9.64)
 B31 = 98.3 (6.00) B61 = 190.5 (11.62)

Volumetric displacement cm³/rev (in³/rev)

B03 = 10.8 (0.66) B15 = 50.5 (3.08)
 B05 = 17.2 (1.05) B17 = 58.3 (3.56)
 B06 = 21.3 (1.30) B20 = 63.8 (3.89)
 B08 = 26.4 (1.61) B22 = 70.3 (4.29)
 B10 = 34.1 (2.08) B25 = 79.3 (4.84)
 B12 = 37.1 (2.26) B28 = 88.8 (5.42)
 B14 = 46.0 (2.81) B31 = 100.0 (6.10)

Mounting W/connection variables

	UNC		METRIC	
	00	01	M0	M1
P2	1"	3/4"	1"	3/4"

Seal class

1 - S1 (for mineral oil)
 4 - S4 (for fire resistant fluids)
 5 - S5 (for mineral oil and fire resistant fluids)

Design letter

Porting combination

00 - standard

Direction of rotation (view on shaft end)

R - clockwise
 L - counter-clockwise

Type of shaft

1 - keyed (SAE C) 4 - splined (no SAE)
 2 - keyed (no SAE) **Sever duty (S6DCW only)**
 3 - splined (SAE C) 5 - keyed (no SAE)

OPERATING CHARACTERISTICS - TYPICAL (24 cST) (Input power p (KW) for one cartridge only)

Pressure port	Series	Volumetric Displacement Vp		Flow q & n = 1500 rpm						Input power p & n = 1500 rpm					
				p = 0 bar (0 psi)		p = 140 bar (2000 psi)		p = 240 bar (3500 psi)		p = 7 bar (100 psi)		p = 140 bar (2000 psi)		p = 240 bar (3500 psi)	
		in ³ /rev	cm ³ /rev	gpm	lpm	gpm	lpm	gpm	lpm	hp	kw	hp	kw	hp	kw
P1	B14	2.90	47.6	18.88	71.4	16.42	62.1	14.78	55.9	3.08	2.3	24.81	18.5	41.03	30.6
	B17	3.55	58.2	23.1	87.3	20.6	78.0	18.99	71.8	3.35	2.5	29.77	22.2	49.62	37.0
	B20	4.00	66.0	26.19	99.0	23.73	89.7	22.08	83.5	3.75	2.8	33.39	24.9	55.92	41.7
	B24	4.80	79.5	31.56	119.3	29.10	110.0	27.46	103.8	4.02	3.0	39.69	29.6	66.78	49.8
	B28	5.50	89.7	35.58	134.5	33.12	125.2	31.48	119.0	4.29	3.2	44.52	33.2	74.96	55.9
	B31	6.00	98.3	39.00	147.5	36.53	138.1	34.89	131.9	4.42	3.3	48.54	36.2	81.80	61.0
	B35	6.80	111.0	44.04	166.5	41.58	157.2	39.94	151.0	4.69	3.5	54.58	40.7	92.13	68.7
	B38	7.30	120.3	47.72	180.4	45.26	171.1	43.62	164.9	4.96	3.7	58.87	43.9	99.64	74.3
	B42 ¹⁾	8.30	136.0	53.96	204.0	51.50	194.7	49.86	188.5	5.36	4.0	66.25	49.4	112.24	83.7
	B45 ¹⁾	8.89	145.7	57.80	218.5	55.34	209.2	53.70	203.0	5.50	4.1	70.81	52.8	120.02	89.5
	B50 ¹⁾	9.64	158.0	62.69	237.0	60.23	227.7	--	--	5.90	4.4	76.44	57.0	--	--
	B61 ¹⁾	11.62	190.5	76.25	285.7	73.54 ³⁾	278.0 ³⁾	--	--	6.16	4.6	81.26 ³⁾	60.6 ³⁾	--	--
P2	B03	0.66	10.8	4.29	16.2	2.96	11.2	2.04	7.7	1.74	1.3	7.11	5.3	11.22	8.4
	B05	1.05	17.2	6.83	25.8	5.50	20.8	4.57	17.3	1.88	1.4	10.06	7.5	16.36	12.2
	B06	1.30	21.3	8.44	31.9	7.11	26.9	6.19	23.4	2.01	1.5	11.94	8.9	19.71	14.7
	B08	1.61	26.4	10.48	39.6	9.15	34.6	8.22	31.1	2.15	1.6	14.35	10.7	22.93	17.7
	B10	2.08	34.1	13.52	51.1	12.19	46.1	11.26	42.6	2.28	1.7	18.64	13.4	29.90	22.3
	B12	2.26	37.1	14.71	55.6	13.36	50.6	12.46	47.1	2.28	1.7	19.31	14.4	32.32	24.1
	B14	2.81	46.0	18.25	69.0	16.93	64.0	16.00	60.5	2.55	1.9	23.60	17.6	39.56	29.5
	B15	3.08	50.5	20.00	75.6	18.73	73.2	19.02	67.5	2.68	2.0	25.61	19.1	42.91	32.0
	B17	3.56	58.3	23.12	87.4	21.79	82.4	20.87	78.9	2.82	2.1	29.37	21.9	49.48	36.9
	B20	3.89	63.8	25.32	95.7	23.99	90.7	23.07	87.2	2.95	2.2	31.92	23.8	53.91	40.2
	B22	4.29	70.3	27.88	105.4	26.56	100.4	25.63	96.9	3.08	2.3	35.00	26.1	59.14	44.1
	B25	4.84	79.3	31.46	118.9	30.13	113.9	29.21	110.4	3.35	2.5	39.16	29.2	66.38	49.5
	B28	5.42	88.8	35.24	133.2	33.92	128.2	--	--	3.75	2.8	43.85	32.7	--	--
	B31	6.10	100.0	39.68	150.0	38.35	145.0	--	--	3.75	2.8	48.95	36.5	--	--

(1) B42-B45-B50-B61 = 2200 RPM max.

(2) B28-B31-B50 = 210 bar (3000 psi) max.

(3) B61 = 120 bar (1740 psi) max. int., B61 = 80 bar (1160 psi) cont.

* B05-B22 Peak Pressure 300 bar

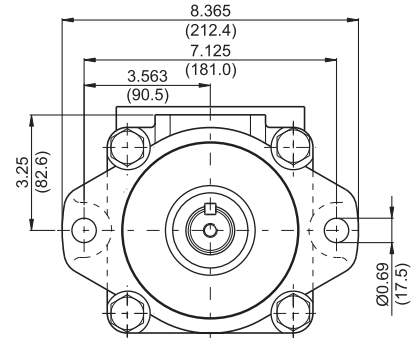
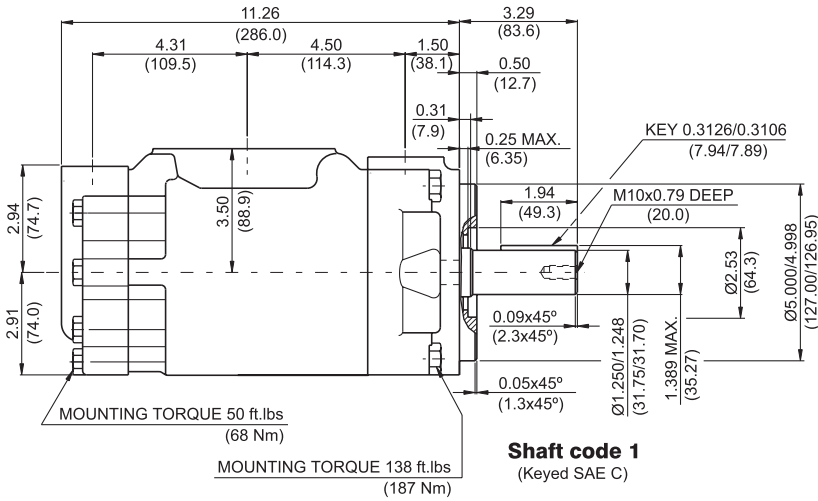
* B14-B38 Peak Pressure 270 bar



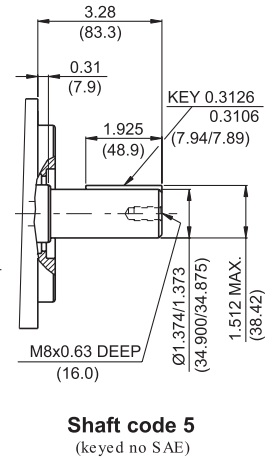
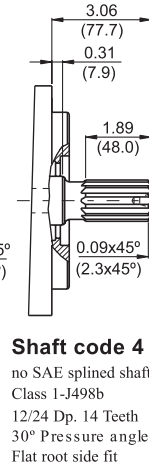
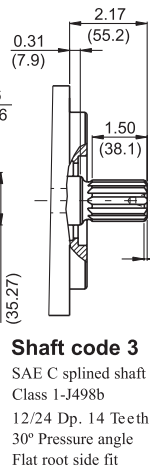
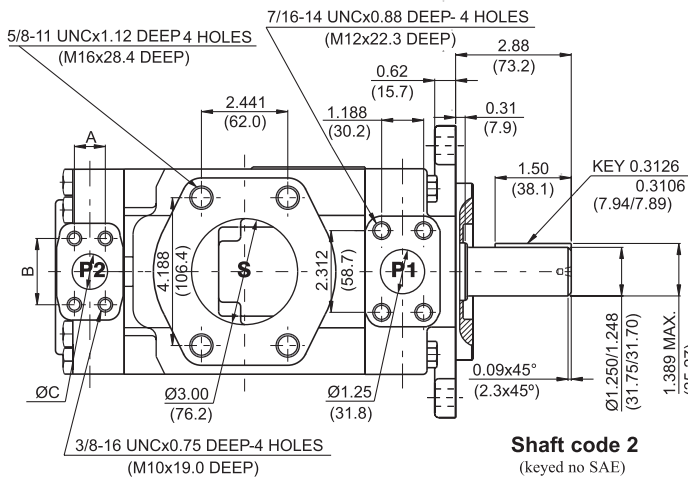
SARVA HYDRAULIK LLC

DIMENSIONS - S6DC SERIES

WEIGHT : 36.7 Kg.



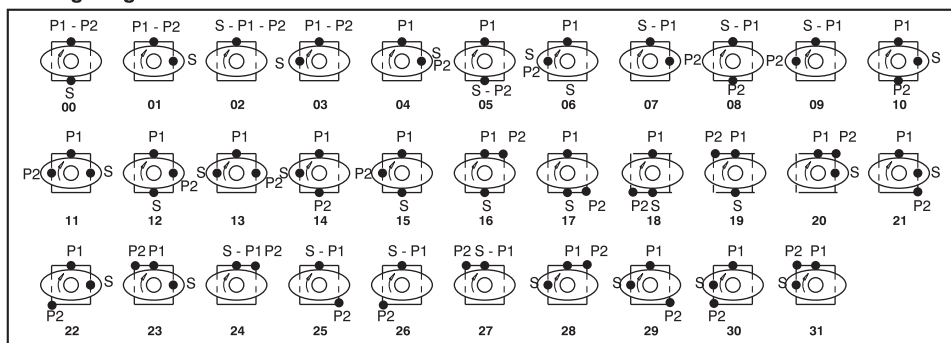
S6DCW



Alternate connect.variables		
	00 & M0	01 & M1
A	1.031 (26.2)	0.874 (22.2)
B	2.06 (52.4)	1.874 (47.6)
C	1.00 (25.4)	0.75 (19.05)

Shaft torque limits in ³ /revxpsi(ml/revxbar)	
Shaft	Vp x p max. (P1+P2)
1	38299 (43240)
2	30638 (34590)
3	54207 (61200)
4	54207 (61200)
5	49247 (55600)

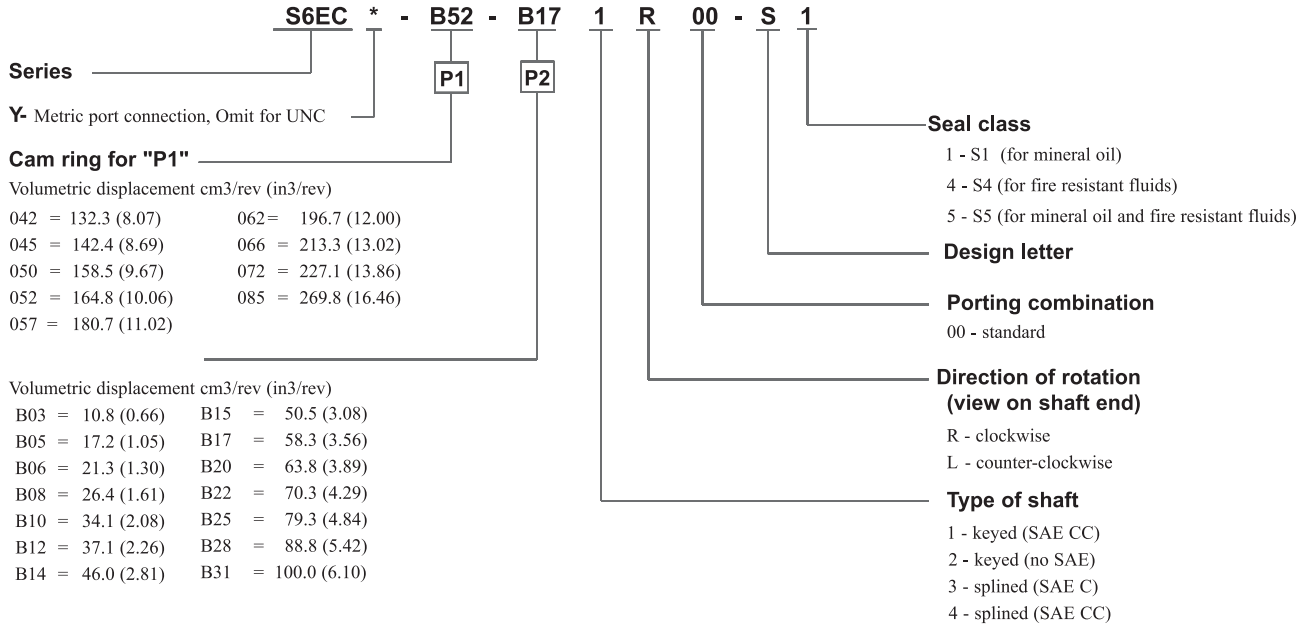
Porting Diagrams





SARVA HYDRAULIK LLC

ORDERING CODE - S6EC SERIES



OPERATING CHARACTERISTICS - TYPICAL (24 cST) (Input power p (KW) for one cartridge only)

Pressure port	Series	Volumetric Displacement Vp		Flow q & n = 1500 rpm						Input power p & n = 1500 rpm					
		in ³ /rev	cm ³ /rev	p = 0 bar (0 psi)		p = 140 bar (2000 psi)		p = 240 bar (3500 psi)		p = 7 bar (100 psi)		p = 140 bar (2000 psi)		p = 240 bar (3500 psi)	
				gpm	lpm	gpm	lpm	gpm	lpm	hp	kw	hp	kw	hp	kw
P1	042	8.07	132.3	52.50	198.5	49.87	188.5	47.96	181.3	6.97	5.2	66.25	49.4	110.77	82.6
	045	8.70	142.4	56.51	213.6	53.86	203.6	51.98	196.5	7.24	5.4	70.94	52.9	118.95	88.7
	050	9.67	158.5	62.88	237.7	60.24	227.7	58.36	220.6	7.64	5.7	78.45	58.5	131.82	98.3
	052	10.00	164.8	65.40	247.2	62.75	237.2	60.87	230.1	7.78	5.8	81.53	60.8	136.92	102.1
	057	11.02	180.7	71.71	271.1	69.07	261.1	67.19	254.0	8.18	6.1	89.04	66.4	143.35	106.9
	062	12.00	196.7	78.04	295.0	75.40	285.0	73.52	277.9	8.58	6.4	96.42	71.9	162.67	121.3
	066	13.00	213.3	84.63	319.9	81.98	309.9	80.11	302.8	8.98	6.7	104.20	77.7	175.94	131.2
	072	13.86	227.1	90.11	340.6	87.46	330.6	--	--	9.25	6.9	110.77	82.6	--	--
	085 ¹⁾	16.40	269.8	107.00	404.7	105.21 ²⁾	397.7 ²⁾	--	--	9.78	7.3	87.56 ²⁾	65.3 ²⁾	--	--
P2	B03	0.66	10.8	4.29	16.2	2.96	11.2	2.04	7.7	1.74	1.3	7.11	5.3	11.22	8.4
	B05	1.05	17.2	6.83	25.8	5.50	20.8	4.57	17.3	1.88	1.4	10.06	7.5	16.36	12.2
	B06	1.30	21.3	8.44	31.9	7.11	26.9	6.19	23.4	2.01	1.5	11.94	8.9	19.71	14.7
	B08	1.61	26.4	10.48	39.6	9.15	34.6	8.22	31.1	2.15	1.6	14.35	10.7	22.93	17.7
	B10	2.08	34.1	13.52	51.1	12.19	46.1	11.26	42.6	2.28	1.7	18.64	13.4	29.90	22.3
	B12	2.26	37.1	14.71	55.6	13.36	50.6	12.46	47.1	2.28	1.7	19.31	14.4	32.32	24.1
	B14	2.81	46.0	18.25	69.0	16.93	64.0	16.00	60.5	2.55	1.9	23.60	17.6	39.56	29.5
	B15	3.08	50.5	20.00	75.6	18.73	73.2	19.02	67.5	2.68	2.0	25.61	19.1	42.91	32.0
	B17	3.56	58.3	23.12	87.4	21.79	82.4	20.87	78.9	2.82	2.1	29.37	21.9	49.48	36.9
	B20	3.89	63.8	25.32	95.7	23.99	90.7	23.07	87.2	2.95	2.2	31.92	23.8	53.91	40.2
	B22	4.29	70.3	27.88	105.4	26.56	100.4	25.63	96.9	3.08	2.3	35.00	26.1	59.14	44.1
	B25	4.84	79.3	31.46	118.9	30.13	113.9	29.21	110.4	3.35	2.5	39.16	29.2	66.38	49.5
	B28	5.42	88.8	35.24	133.2	33.92	128.2	--	--	3.75	2.8	43.85	32.7	--	--
B31	6.10	100.0	39.68	150.0	38.35	145.0	--	--	3.75	2.8	48.95	36.5	--	--	

(1) 085 = 2000 RPM max. (2) 085 = 75 bar (1100 psi) cont. 085 = 90 bar (1300 psi) max. int.

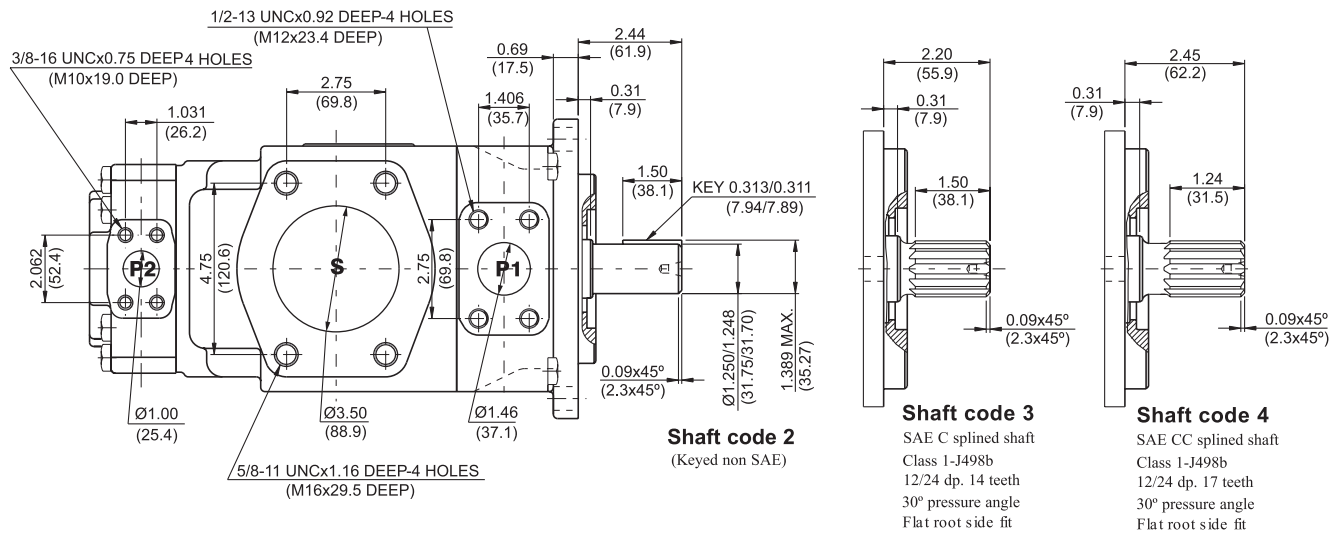
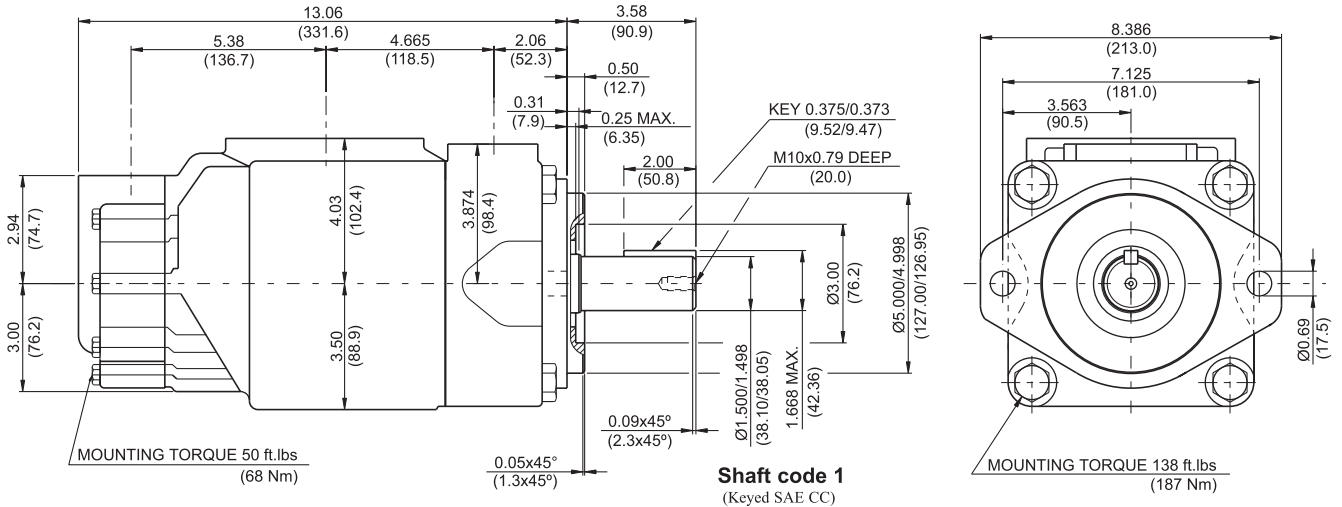
B05-B22 = 300 bar (4350 psi) max.



SARVA HYDRAULIK LLC

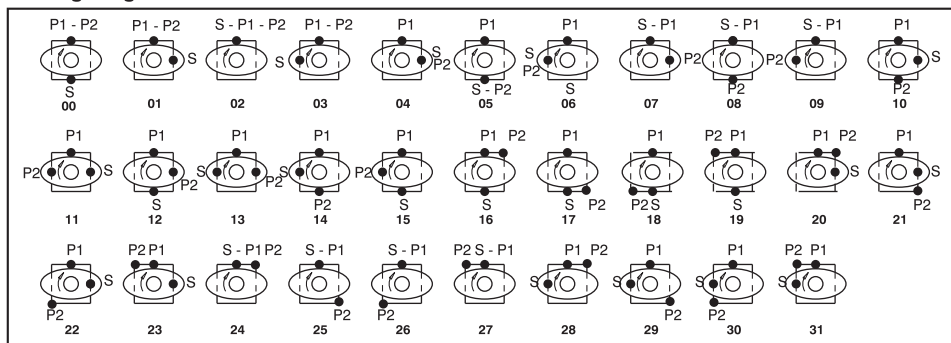
DIMENSIONS - S6EC SERIES

WEIGHT : 55.2 Kg.



Shaft torque limits in ³ /rev x psi (ml/rev x bar)	
Shaft	Vp x p max. (P1+P2)
1	64044 (72306)
2	30638 (34590)
3	54207 (61200)
4	67582 (76376)

Porting Diagrams





SARVA HYDRAULIK LLC

ORDERING CODE - S6ED SERIES

S6ED * - 052 - B31 1 R 00 - S 1

Series _____

Y - Metric port connection, Omit for UNC

Cam ring for "P1" _____

Volumetric displacement cm³/rev (in³/rev)

042 = 132.3 (8.07)	062 = 196.7 (12.00)
045 = 142.4 (8.69)	066 = 213.3 (13.02)
050 = 158.5 (9.67)	072 = 227.1 (13.86)
052 = 164.8 (10.06)	085 = 269.8 (16.46)
057 = 180.7 (11.02)	

Cam ring for "P2" _____

Volumetric displacement cm³/rev (in³/rev)

B14 = 47.6 (2.90)	B35 = 111.0 (6.77)
B17 = 58.2(3.55)	B38 = 120.3 (7.34)
B20 = 66.0 (4.03)	B42 = 136.0 (8.30)
B24 = 79.5 (4.85)	B45 = 145.7 (8.89)
B28 = 89.7 (5.47)	B50 = 158.0 (9.64)
B31 = 98.3 (6.00)	B61 = 190.5 (11.62)

Seal class

- 1 - S1 (for mineral oil)
- 4 - S4 (for fire resistant fluids)
- 5 - S5 (for mineral oil and fire resistant fluids)

Design letter

Porting combination

00 - standard

Direction of rotation (view on shaft end)

- R - clockwise
- L - counter-clockwise

Type of shaft

- 1 - keyed (SAE CC)
- 2 - keyed (no SAE)
- 3 - splined (SAE C)
- 4 - splined (SAE CC)

OPERATING CHARACTERISTICS - TYPICAL (24 cST) (Input power p (KW) for one cartridge only)

Pressure port	Series	Volumetric Displacement Vp		Flow q & n = 1500 rpm						Input power r p & n = 1500 rpm					
				p = 0 bar (0 psi)		p = 140 bar (2000 psi)		p = 240 bar (3500 psi)		p = 7 bar (100 psi)		p = 140 bar (2000 psi)		p = 240 bar (3500 psi)	
				in ³ /rev	cm ³ /rev	gpm	lpm	gpm	lpm	gpm	lpm	hp	kw	hp	kw
P1	042	8.07	132.3	52.50	198.5	49.87	188.5	47.96	181.3	6.97	5.2	66.25	49.4	110.77	82.6
	045	8.70	142.4	56.51	213.6	53.86	203.6	51.98	196.5	7.24	5.4	70.94	52.9	118.95	88.7
	050	9.67	158.5	62.88	237.7	60.24	227.7	58.36	220.6	7.64	5.7	78.45	58.5	131.82	98.3
	052	10.00	164.8	65.40	247.2	62.75	237.2	60.87	230.1	7.78	5.8	81.53	60.8	136.92	102.1
	057	11.02	180.7	71.71	271.1	69.07	261.1	67.19	254.0	8.18	6.1	89.04	66.4	143.35	106.9
	062	12.00	196.7	78.04	295.0	75.40	285.0	73.52	277.9	8.58	6.4	96.42	71.9	162.67	121.3
	066	13.00	213.3	84.63	319.9	81.98	309.9	80.11	302.8	8.98	6.7	104.20	77.7	175.94	131.2
	072	13.86	227.1	90.11	340.6	87.46	330.6	--	--	9.25	6.9	110.77	82.6	--	--
	085 ¹⁾	16.40	269.8	107.00	404.7	105.21 ²⁾	397.7 ²⁾	--	--	9.78	7.3	87.56 ²⁾	65.3 ²⁾	--	--
P2	B14	2.90	47.6	18.88	71.4	16.42	62.1	14.78	55.9	3.08	2.3	24.81	18.5	41.03	30.6
	B17	3.55	58.2	23.1	87.3	20.6	78.0	18.99	71.8	3.35	2.5	29.77	22.2	49.62	37.0
	B20	4.00	66.0	26.19	99.0	23.73	89.7	22.08	83.5	3.75	2.8	33.39	24.9	55.92	41.7
	B24	4.80	79.5	31.56	119.3	29.10	110.0	27.46	103.8	4.02	3.0	39.69	29.6	66.78	49.8
	B28	5.50	89.7	35.58	134.5	33.12	125.2	31.48	119.0	4.29	3.2	44.52	33.2	74.96	55.9
	B31	6.00	98.3	39.00	147.5	36.53	138.1	34.89	131.9	4.42	3.3	48.54	36.2	81.80	61.0
	B35	6.80	111.0	44.04	166.5	41.58	157.2	39.94	151.0	4.69	3.5	54.58	40.7	92.13	68.7
	B38	7.30	120.3	47.72	180.4	45.26	171.1	43.62	164.9	4.96	3.7	58.87	43.9	99.64	74.3
	B42	8.30	136.0	53.96	204.0	51.50	194.7	49.86	188.5	5.36	4.0	66.25	49.4	112.24	83.7
	B45	8.89	145.7	57.80	218.5	55.34	209.2	53.70	203.0	5.50	4.1	70.81	52.8	120.02	89.5
	B50	9.64	158.0	62.69	237.0	60.23	227.7	--	--	5.90	4.4	76.44	57.0	--	--
	B61	11.62	190.5	76.25	285.7	73.54 ⁴⁾	278.0 ⁴⁾	--	--	6.16	4.6	81.26 ⁴⁾	60.6 ⁴⁾	--	--

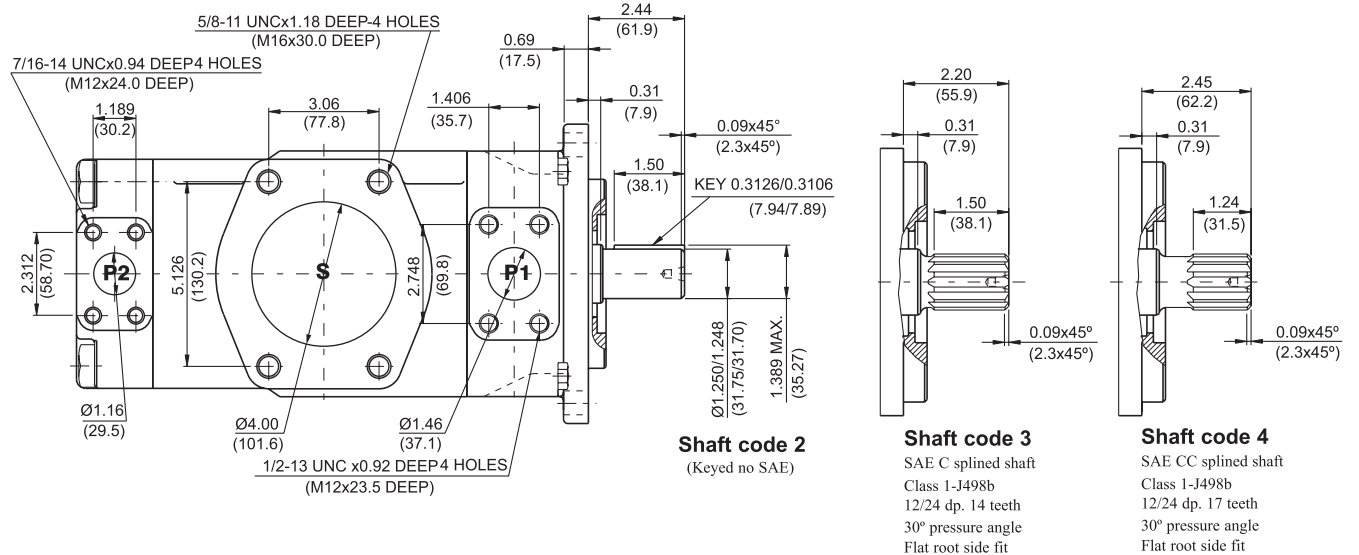
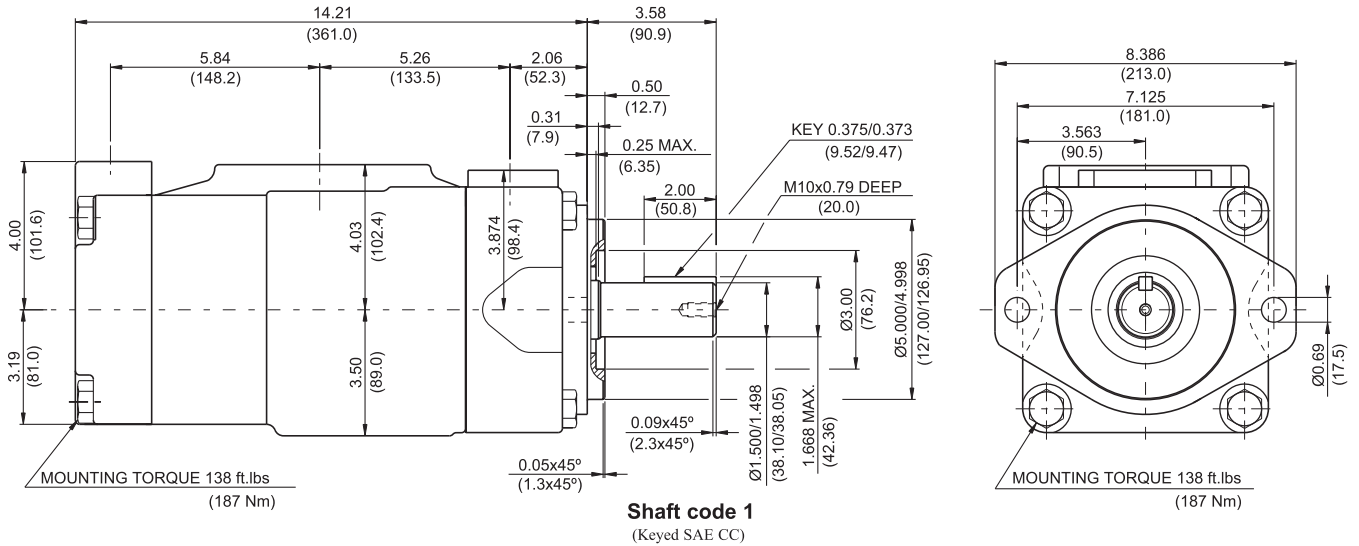
1) 085 = 2000 RPM max. 2) 085 = 75 bar (1100 psi) cont. 085 = 90 bar (1300 psi) max. int.
 3) 061 = 120 bar (1740 psi) max. int. 061 = 80 bar (1160 psi) cont.



SARVA HYDRAULIK LLC

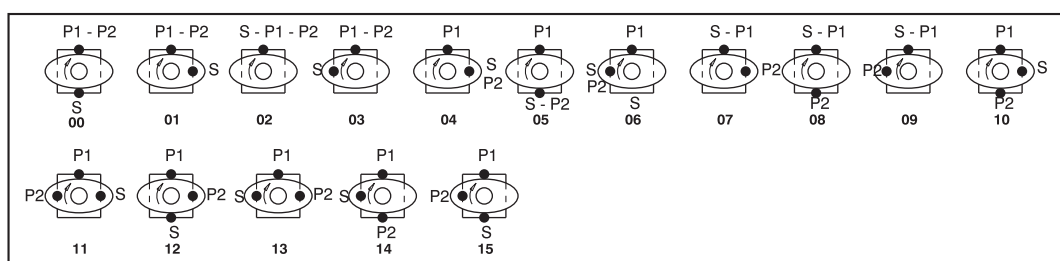
DIMENSIONS - S6ED SERIES

WEIGHT : 66.1 Kg.



Shaft torque limits in ³ /rev x psi (ml/rev x bar)	
Shaft	V _p x p max. (P1+P2)
1	64044 (72306)
2	30638 (34590)
3	54207 (61200)
4	67582 (76376)

Porting Diagrams





SARVA HYDRAULIK LLC

ORDERING CODE - S6DCC SERIES

S6DCC - B45 - B22 - B10 - 1 R 00 - S 1 - 00

Series ———— **S6DCC**

Cam ring for "P1" ———— **P1**

Volumetric displacement cm³/rev (in³/rev)

B14 = 47.6 (2.90)	B35 = 111.0 (6.77)
B17 = 58.2 (3.55)	B38 = 120.3 (7.34)
B20 = 66.0 (4.03)	B42 = 136.0 (8.30)
B24 = 79.5 (4.85)	B45 = 145.7 (8.89)
B28 = 89.7 (5.47)	B50 = 158.0 (9.64)
B31 = 98.3 (6.00)	B61 = 190.5 (11.62)

Cam ring for "P2" & "P3" ———— **P2** **P3**

Volumetric displacement cm³/rev (in³/rev)

B03 = 10.8 (0.66)	B15 = 50.5 (3.08)
B05 = 17.2 (1.05)	B17 = 58.3 (3.56)
B06 = 21.3 (1.30)	B20 = 63.8 (3.89)
B08 = 26.4 (1.61)	B22 = 70.3 (4.29)
B10 = 34.1 (2.08)	B25 = 79.3 (4.84)
B12 = 37.1 (2.26)	B28 = 88.8 (5.42)
B14 = 46.0 (2.81)	B31 = 100.0 (6.10)

Mounting w/connection variables

SAE	P1 = 1 1/4" S = 4" P2 = 1"			
	UNC		Metric	
P3	1"	3/4"	1"	3/4"
Code	00	01	M0	M1

Seal class

- 1 - S1 (for mineral oil)
- 4 - S4 (for fire resistant fluids)
- 5 - S5 (for mineral oil and fire resistant fluids)

Design letter

Porting combination

00 = Standard

Direction of rotation (view on shaft end)

- R - Clockwise
- L - Counter - clockwise

Type of Shaft

- 1 - Keyed (no SAE)
- 2 - Keyed (SAE CC)
- 3 - Splined (SAE C)

OPERATING CHARACTERISTICS - TYPICAL (24 cST) (Input power p (KW) for one cartridge only)

Pressure port	Series	Volumetric Displacement Vp		Flow q & n = 1500 rpm						Input power p & n = 1500 rpm					
		in ³ /rev	cm ³ /rev	p = 0 bar (0 psi)		p = 140 bar (2000 psi)		p = 240 bar (3500 psi)		p = 7 bar (100 psi)		p = 140 bar (2000 psi)		p = 240 bar (3500 psi)	
				gpm	lpm	gpm	lpm	gpm	lpm	hp	kw	hp	kw	hp	kw
P1	B14	2.90	47.6	18.88	71.4	16.42	62.1	14.78	55.9	3.08	2.3	24.81	18.5	41.03	30.6
	B17	3.55	58.2	23.1	87.3	20.6	78.0	18.99	71.8	3.35	2.5	29.77	22.2	49.62	37.0
	B20	4.00	66.0	26.19	99.0	23.73	89.7	22.08	83.5	3.75	2.8	33.39	24.9	55.92	41.7
	B24	4.80	79.5	31.56	119.3	29.10	110.0	27.46	103.8	4.02	3.0	39.69	29.6	66.78	49.8
	B28	5.50	89.7	35.58	134.5	33.12	125.2	31.48	119.0	4.29	3.2	44.52	33.2	74.96	55.9
	B31	6.00	98.3	39.00	147.5	36.53	138.1	34.89	131.9	4.42	3.3	48.54	36.2	81.80	61.0
	B35	6.80	111.0	44.04	166.5	41.58	157.2	39.94	151.0	4.69	3.5	54.58	40.7	92.13	68.7
	B38	7.30	120.3	47.72	180.4	45.26	171.1	43.62	164.9	4.96	3.7	58.87	43.9	99.64	74.3
	B42 ¹⁾	8.30	136.0	53.96	204.0	51.50	194.7	49.86	188.5	5.36	4.0	66.25	49.4	112.24	83.7
	B45 ¹⁾	8.89	145.7	57.80	218.5	55.34	209.2	53.70	203.0	5.50	4.1	70.81	52.8	120.02	89.5
B50 ^{1,2)}	9.64	158.0	62.69	237.0	60.23	227.7	--	--	5.90	4.4	76.44	57.0	--	--	
B61 ^{1,3)}	11.62	190.5	76.25	285.7	73.54	278.0	--	--	6.16	4.6	81.26	60.6	--	--	
P2 & P3	B03	0.66	10.8	4.29	16.2	2.96	11.2	2.04	7.7	1.74	1.3	7.11	5.3	11.22	8.4
	B05	1.05	17.2	6.83	25.8	5.50	20.8	4.57	17.3	1.88	1.4	10.06	7.5	16.36	12.2
	B06	1.30	21.3	8.44	31.9	7.11	26.9	6.19	23.4	2.01	1.5	11.94	8.9	19.71	14.7
	B08	1.61	26.4	10.48	39.6	9.15	34.6	8.22	31.1	2.15	1.6	14.35	10.7	22.93	17.7
	B10	2.08	34.1	13.52	51.1	12.19	46.1	11.26	42.6	2.28	1.7	18.64	13.4	29.90	22.3
	B12	2.26	37.1	14.71	55.6	13.36	50.6	12.46	47.1	2.28	1.7	19.31	14.4	32.32	24.1
	B14	2.81	46.0	18.25	69.0	16.93	64.0	16.00	60.5	2.55	1.9	23.60	17.6	39.56	29.5
	B15	3.08	50.5	20.00	75.6	18.73	73.2	19.02	67.5	2.68	2.0	25.61	19.1	42.91	32.0
	B17	3.56	58.3	23.12	87.4	21.79	82.4	20.87	78.9	2.82	2.1	29.37	21.9	49.48	36.9
	B20	3.89	63.8	25.32	95.7	23.99	90.7	23.07	87.2	2.95	2.2	31.92	23.8	53.91	40.2
	B22	4.29	70.3	27.88	105.4	26.56	100.4	25.63	96.9	3.08	2.3	35.00	26.1	59.14	44.1
	B25	4.84	79.3	31.46	118.9	30.13	113.9	29.21	110.4	3.35	2.5	39.16	29.2	66.38	49.5
	B28 ²⁾	5.42	88.8	35.24	133.2	33.92	128.2	--	--	3.75	2.8	43.85	32.7	--	--
B31 ²⁾	6.10	100.0	39.68	150.0	38.35	145.0	--	--	3.75	2.8	48.95	36.5	--	--	

1) B42-B45-B50-B61=2200 RPM max.

2) B28-B31- B50=210 bar (3000 psi) max. int.

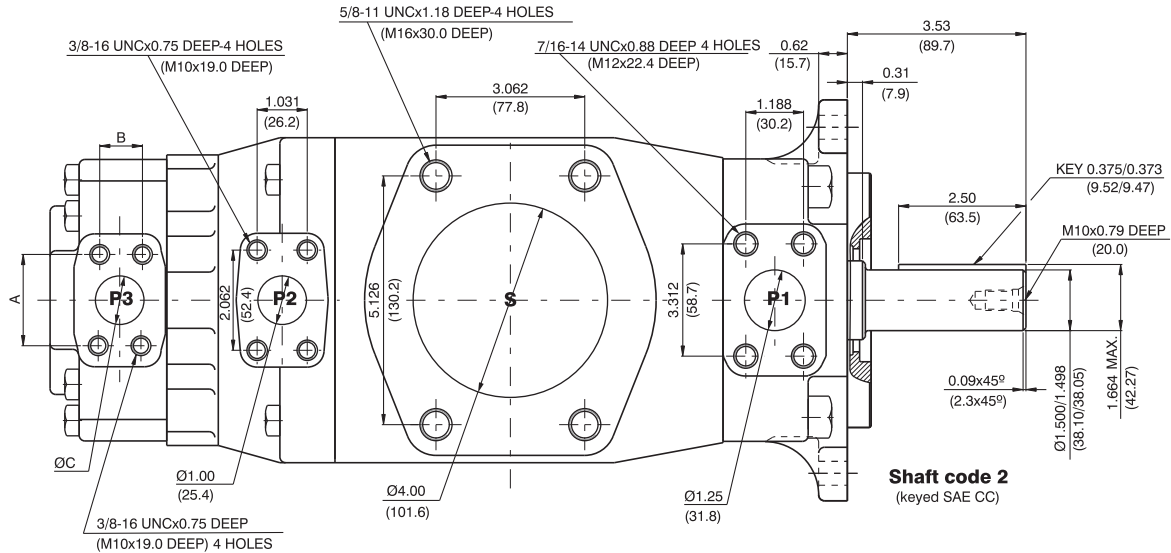
3) B61 = 120 bar (1740 psi) max. int, B61 = 80 bar (1160 psi) cont.



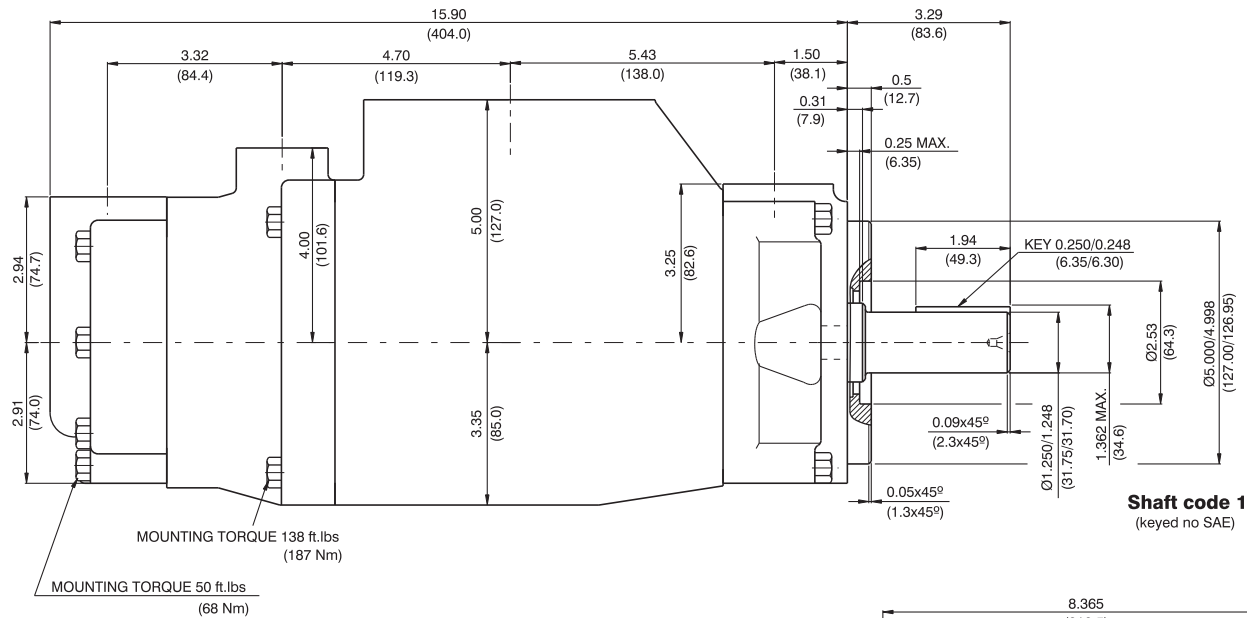
SARVA HYDRAULIK LLC

DIMENSIONS - S6DCC SERIES

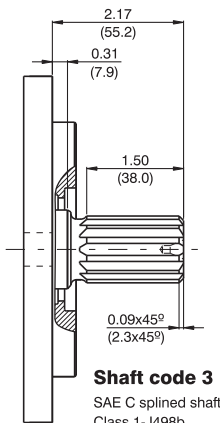
WEIGHT : 61.1 Kg.



Shaft code 2
(keyed SAE CC)



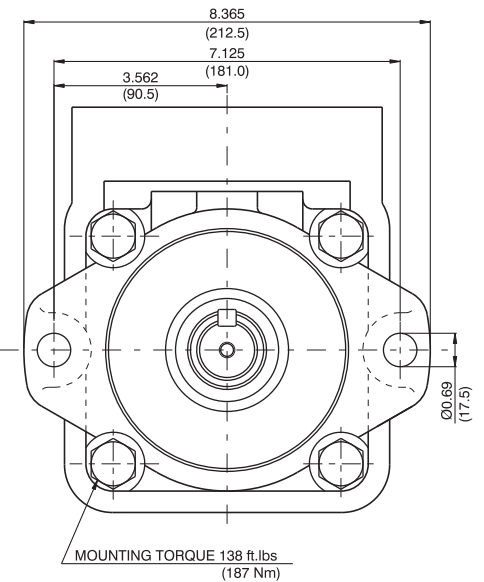
Shaft code 1
(keyed no SAE)



Shaft code 3
SAE C splined shaft
Class 1-J498b
12/24 Dp. 14 Teeth
30° Pressure angle
Flat root side fit

Shaft torque limits in ³ /rev x psi (ml/rev x bar)	
Shaft	Vp x p max. (P1+P2+P3)
1	38299 (43240)
2	58901 (66500)
3	54027 (61200)

PORT	CODE	A	B	C
P3	00 & M0	2.06 (52.4)	1.03 (26.2)	1.00 (25.4)
	01 & M1	1.874 (47.6)	0.874 (22.2)	0.75 (19.05)





SARVA HYDRAULIK LLC

ORDERING CODE - S7BS SERIES

S7BS - B09 - 1 R 00 - S 1 M0

Series ————

S7BS series- SAE B 2 bolts
Mounting flange J744C

Camring ————

Volumetric displacement cm³/rev (in³/rev)

B02 = 5.7 (0.35)	B09 = 28.0 (1.71)
B03 = 9.8 (0.60)	B10 = 31.8 (1.94)
B04 = 12.8 (0.78)	B11 = 34.9 (2.13)
B05 = 15.9 (0.97)	B12 = 40.9 (2.50)
B06 = 19.8 (1.21)	B14 = 45.1 (2.75)
B07 = 22.5 (1.37)	B15 = 50.0 (3.05)
B08 = 24.9 (1.52)	

Type of shaft S7BS ————

1 - Keyed (SAE B)
2 - Keyed (ISO R775)
3 - Splined (SAE B)
4 - Splined (SAE BB)

Direction of rotation (view on shaft end) ————

R - clockwise
L - counter-clockwise

Mounting W/connection variables
4 bolts SAE flange (J518C)

	UNC S7BS		METRIC S7BS	
	00	01	M0	M1
P	1"	3/4"	1"	3/4"
S	1 1/2"			

Seal class

1 - S1 (for mineral oil)
4 - S4 (for fire resistant fluids)
5 - S5 (for mineral oil and fire resistant fluids)

Design letter ————

Porting combination
00 - standard

00
P

S

01
P-S

S

02
P

S

03
P

S

S - Suction port P - Pressure port

OPERATING CHARACTERISTICS - TYPICAL (24 cST)

Pressure port	Series	Volumetric Displacement Vp		Flow q & n = 1800 rpm						Input power p & n = 1800 rpm					
		in ³ /rev	cm ³ /rev	p = 0 bar (0 psi)		p = 140 bar (2000 psi)		p = 320 bar (4650 psi)		p = 7 bar (100 psi)		p = 140 bar (2000 psi)		p = 320 bar (4650 psi)	
				gpm	lpm	gpm	lpm	gpm	lpm	hp	kw	hp	kw	hp	kw
S7BS	B02	0.35	5.7	2.76	10.4	2.33	8.8	1.73	6.5	0.74	0.55	4.02	2.99	8.59	6.40
	B03	0.60	9.8	4.66	17.6	4.23	15.9	3.70	13.7	0.85	0.63	6.24	4.65	13.75	10.25
	B04	0.78	12.8	6.09	23.0	5.66	21.4	5.06	19.2	0.94	0.70	7.90	5.89	17.62	13.13
	B05	0.97	15.9	7.56	28.6	7.13	26.9	6.53	24.7	1.02	0.76	9.62	7.17	21.62	16.12
	B06	1.21	19.8	9.42	35.6	8.99	33.9	8.39	31.7	1.13	0.84	11.79	8.79	26.66	19.88
	B07	1.37	22.5	10.70	40.4	10.27	38.8	9.67	36.5	1.20	0.89	13.29	9.91	30.14	22.47
	B08	1.52	24.9	11.84	44.7	11.41	43.1	10.81	40.9	1.27	0.94	14.62	10.90	33.24	24.78
	B09	1.71	28.0	13.31	50.3	12.87	48.6	12.28	46.4	1.36	1.01	16.35	12.19	37.25	27.77
	B10	1.94	31.8	15.12	57.2	14.69	55.5	14.09	53.4	1.46	1.11	18.45	13.75	42.14	31.42
	B11 ¹⁾	2.13	34.9	16.64	62.9	16.19	61.2	-	-	1.55	1.15	20.17	15.04	-	-
	B12 ¹⁾	2.50	40.9	19.50	73.7	19.07	72.1	-	-	1.72	1.28	23.55	17.56	-	-
	B14 ¹⁾	2.75	45.1	21.40	80.8	20.95	79.2	-	-	1.83	1.36	25.80	19.23	-	-
	B15 ¹⁾	3.05	50.0	23.78	89.8	23.35	88.3	-	-	1.97	1.47	28.55	21.28	-	-

1) B11-B12-B14 = 300 bar (4350 psi) & B15 = 280 bar (4060 psi) max. int. And Max. Speed = 3000 rpm

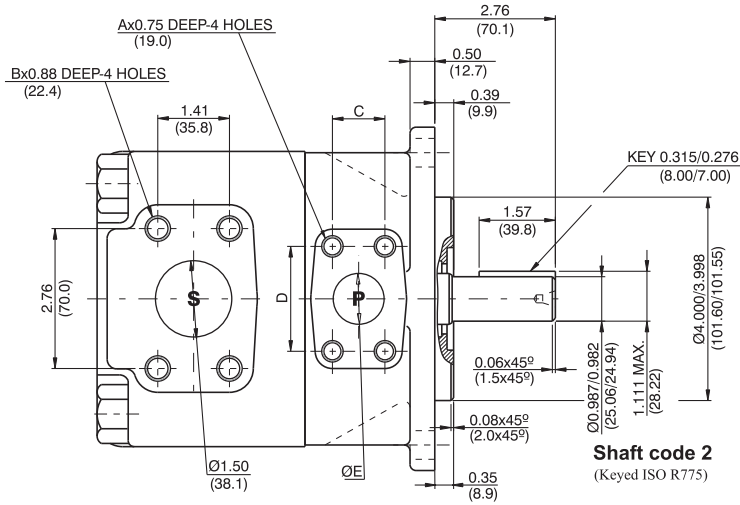
B02-B10 Peak Pressure 350 bar



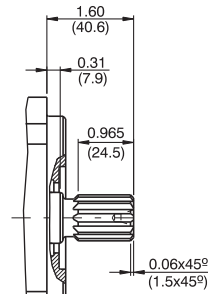
SARVA HYDRAULIK LLC

DIMENSIONS - S7BS SERIES

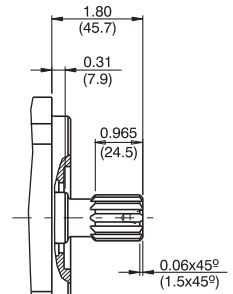
WEIGHT : 23.1 Kg.



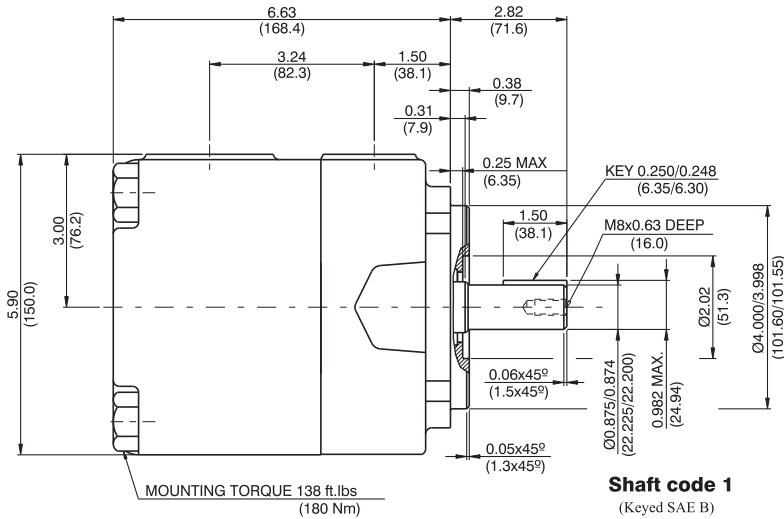
Shaft code 2
(Keyed ISO R775)



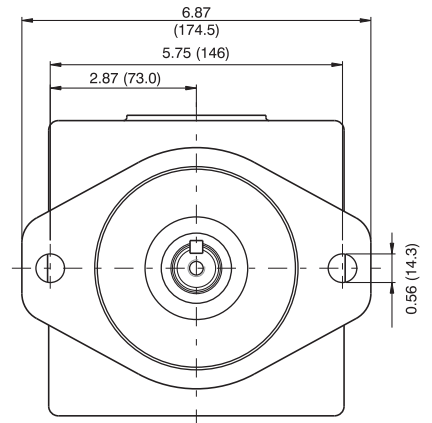
Shaft code 3
SAE B splined shaft
Class 1-J498b
16/32 dp. 13 teeth
30° pressure angle
flat root side fit



Shaft code 4
SAE BB splined shaft
Class 1-J498b
16/32 dp. 15 teeth
30° pressure angle
flat root side fit



Shaft code 1
(Keyed SAE B)



Shaft torque limits in ³ /rev x psi (ml/rev x bar)	
Shaft	V _p x p max.
1	14615 (16516)
2	18246 (20620)
3	18246 (20620)
4	18246 (20620)

S7BS				
	00	01	M0	M1
A	3/8-16 UNC		M10	
B	1/2-13 UNC		M12	
C	1.03 (26.2)	0.874 (22.2)	1.03 (26.2)	0.874 (22.2)
D	2.06 (52.4)	1.874 (47.6)	2.06 (52.4)	1.874 (47.6)
ØE	1.00 (25.4)	0.75 (19.05)	1.00 (25.4)	0.75 (19.05)



SARVA HYDRAULIK LLC

ORDERING CODE - S7BBS SERIES

S7BBS series- SAE B 2 bolts
Mounting flange J744

Cam ring for "P1" & "P2"

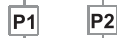
Volumetric displacement cm³/rev (in³/rev)

B02 = 5.8 (0.35)	B09 = 28.0 (1.71)
B03 = 9.8 (0.60)	B10 = 31.8 (1.94)
B04 = 12.8 (0.78)	B11 = 34.9 (2.13)
B05 = 15.9 (0.97)	B12 = 40.9 (2.50)
B06 = 19.8 (1.21)	B14 = 45.1 (2.75)
B07 = 22.5 (1.37)	B15 = 50.0 (3.05)
B08 = 24.9 (1.52)	

Type of shaft S7BBS

- 1 - keyed (no SAE)
- 2 - keyed (SAE BB)
- 3 - splined (SAE B)
- 4 - splined (SAE BB)

S7BBS - B10 - B10 - 1 R 00 - S 1 00



Mounting W/connection variables

	UNC S7BBS		METRIC S7BBS	
	00	01	M0	M1
P1	1"	3/4"	1"	3/4"
P2	3/4"			
S	2 1/2"			

Seal class

- 1 - S1 (for mineral oil)
- 4 - S4 (for fire resistant fluids)
- 5 - S5 (for mineral oil and fire resistant fluids)

Design letter

Porting combination

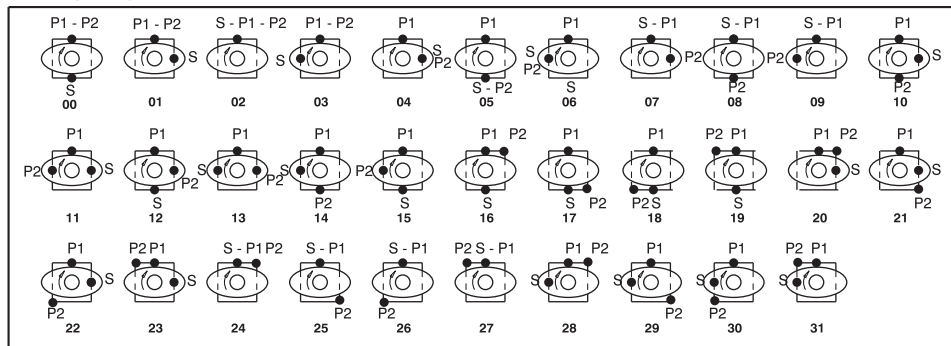
00 - standard

Direction of rotation (view on shaft end)

R - clockwise

L - counter-clockwise

Porting Diagrams



OPERATING CHARACTERISTICS - TYPICAL (24 cST) (Input power p (KW) for one cartridge only)

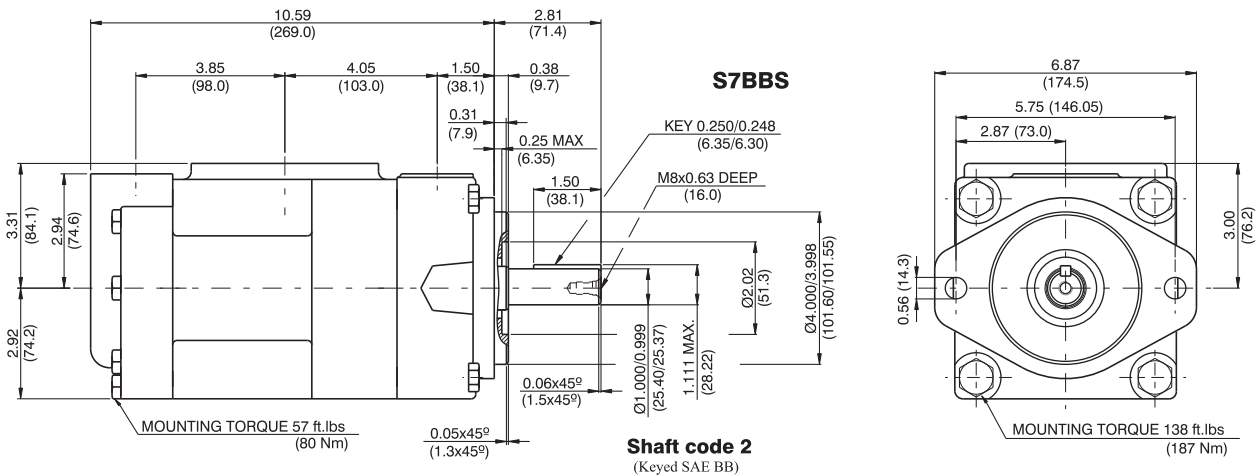
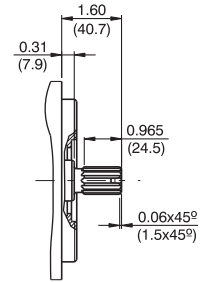
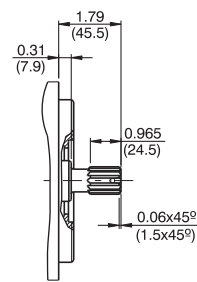
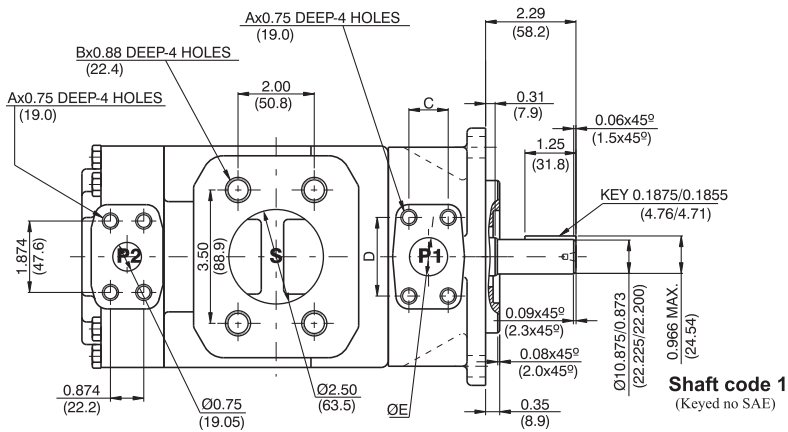
Pressure port	Series	Volumetric Displacement Vp		Flow q & n = 1800 rpm						Input power p & n = 1800 rpm					
		in ³ /rev	cm ³ /rev	p = 0 bar (0 psi)		p = 140 bar (2000 psi)		p = 320 bar (4650 psi)		p = 7 bar (100 psi)		p = 140 bar (2000 psi)		p = 320 bar (4650 psi)	
				gpm	lpm	gpm	lpm	gpm	lpm	hp	kw	hp	kw	hp	kw
P1 & P2	B02	0.35	5.7	2.76	10.4	2.33	8.8	1.73	6.5	0.74	0.55	4.02	2.99	8.59	6.40
	B03	0.60	9.8	4.66	17.6	4.23	15.9	3.63	13.7	0.85	0.63	6.24	4.65	13.75	10.25
	B04	0.78	12.8	6.09	23.0	5.66	21.4	5.06	19.2	0.94	0.70	7.90	5.89	17.62	13.13
	B05	0.97	15.9	7.56	28.6	7.13	26.9	6.53	24.7	1.02	0.76	9.62	7.17	21.62	16.12
	B06	1.21	19.8	9.42	35.6	8.99	33.9	8.39	31.7	1.13	0.84	11.79	8.79	26.66	19.88
	B07	1.37	22.5	10.70	40.4	10.27	38.8	9.67	36.5	1.20	0.89	13.29	9.91	30.14	22.47
	B08	1.52	24.9	11.84	44.7	11.41	43.1	10.81	40.9	1.27	0.94	14.62	10.90	33.24	24.78
	B09	1.71	28.0	13.31	50.3	12.87	48.6	12.28	46.4	1.36	1.01	16.35	12.19	37.25	27.77
	B10	1.94	31.8	15.12	57.2	14.69	55.5	14.09	53.4	1.46	1.11	18.45	13.75	42.14	31.42
	B11 ¹⁾	2.13	34.9	16.64	62.9	16.19	61.2	-	-	1.55	1.15	20.17	15.04	-	-
	B12 ¹⁾	2.50	40.9	19.50	73.7	19.07	72.1	-	-	1.72	1.28	23.55	17.56	-	-
	B14 ¹⁾	2.75	45.1	21.40	80.8	20.95	79.2	-	-	1.83	1.36	25.80	19.23	-	-
B15 ¹⁾	3.05	50.0	23.78	89.8	23.35	88.3	-	-	1.97	1.47	28.55	21.28	-	-	

1) B11-B12-B14 = 300 bar (4350 psi) & B15 = 280 bar (4060 psi) max. int. And Max. Speed = 3000 rpm

B02-B10 Peak Pressure 350 bar

DIMENSIONS - S7BBS SERIES

WEIGHT : 34.1 Kg.



Shaft torque limits in ³ /rev x psi (ml/rev x bar)	
Shaft	Vp x p max. (P1+P2)
1	12666 (14300)
2	18972 (21420)
3	18246 (20620)
4	28937 (32702)

S7BBS				
	00	01	M0	M1
A	3/8-16 UNC		M10	
B	1/2-13 UNC		M12	
C	1.03 (26.2)	0.874 (22.2)	1.03 (26.2)	0.874 (22.2)
D	2.06 (52.4)	1.874 (47.6)	2.06 (52.4)	1.874 (47.6)
ØE	1.00 (25.4)	0.75 (19.05)	1.00 (25.4)	0.75 (19.05)



SARVA HYDRAULIK LLC

ORDERING CODE - S67CB SERIES

S67CB W - B10 - B10 - 1 R 00 - S 1 - 11

Series- SAE B 2 bolts
Mounting flange J744c

Use for severe duty shaft only

Cam ring for "P1"
Volumetric displacement cm³/rev (in³/rev)

B03 = 10.8 (0.66)	B15 = 50.5 (3.08)
B05 = 17.2 (1.05)	B17 = 58.3 (3.56)
B06 = 21.3 (1.30)	B20 = 63.8 (3.89)
B08 = 26.4 (1.61)	B22 = 70.3 (4.29)
B10 = 34.1 (2.08)	B25 = 79.3 (4.84)
B12 = 37.1 (2.26)	B28 = 88.8 (5.42)
B14 = 46.0 (2.81)	B31 = 100.0 (6.10)

Cam ring for "P2"
Volumetric displacement cm³/rev (in³/rev)

B02 = 5.7 (0.35)	B09 = 28.0 (1.71)
B03 = 9.8 (0.60)	B10 = 31.8 (1.94)
B04 = 12.8 (0.78)	B11 = 34.9 (2.13)
B05 = 15.9 (0.97)	B12 = 40.9 (2.50)
B06 = 19.8 (1.21)	B14 = 45.1 (2.75)
B07 = 22.5 (1.37)	B15 = 50.0 (3.05)
B08 = 24.9 (1.52)	

Type of shaft

1- keyed (no SAE)	W version
3- splined (SAE BB)	2- keyed (SAE BB)
5- splined (SAE B)	

P1=1" P2=3/4" S=2 1/2"	
UNC	METRIC
11	M1

Mounting W/connection variables

Seal class
1 - S1 (for mineral oil)
4 - S4 (for fire resistant fluids)
5 - S5 (for mineral oil and fire resistant fluids)

Design letter

Porting combination
00 - standard

Direction of rotation (view on shaft end)
R - clockwise
L - counter-clockwise

OPERATING CHARACTERISTICS - TYPICAL (24 cST) (Input powerp (KW) for one cartridge only)

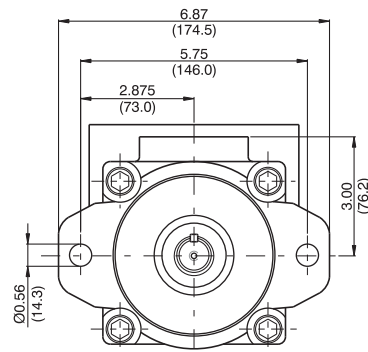
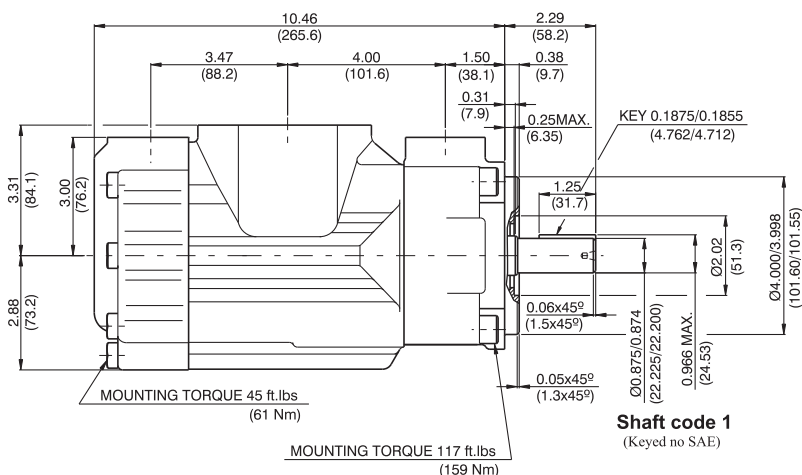
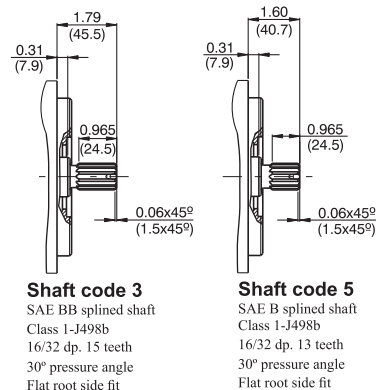
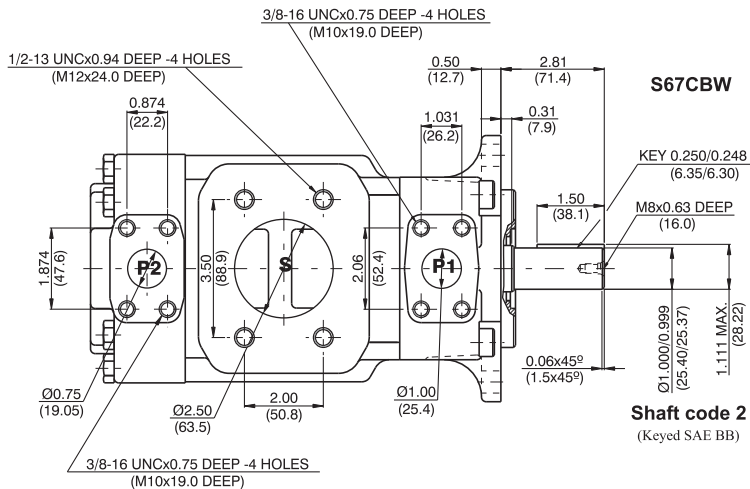
Pressure port	Series	Volumetric Displacement Vp		Flow q & n = 1800 rpm						Input power p & n = 1800 rpm					
		in ³ /rev	cm ³ /rev	p = 0 bar (0 psi)		p = 140 bar (2000 psi)		p = 275 bar (4000 psi)		p = 7 bar (100 psi)		p = 140 bar (2000 psi)		p = 275 bar (4000 psi)	
				gpm	lpm	gpm	lpm	gpm	lpm	hp	kw	hp	kw	hp	kw
P1	003	0.66	10.8	5.14	19.6	3.85	14.6	--	--	2.11	1.57	8.45	6.30	--	--
	005	1.05	17.2	8.18	30.9	6.89	26.0	5.68	21.5	2.29	1.70	12.00	8.94	19.81	14.77
	006	1.30	21.3	10.13	38.3	8.84	33.4	7.63	28.8	2.40	1.78	14.28	10.64	23.79	17.74
	008	1.61	26.4	12.55	47.4	11.26	42.6	10.05	37.9	2.54	1.89	17.11	12.75	28.75	21.43
	010	2.08	34.1	16.22	61.3	14.93	56.4	13.71	51.8	2.76	2.06	21.38	15.94	36.22	27.00
	012	2.26	37.1	17.64	66.7	16.35	61.8	15.14	57.2	2.84	2.11	23.05	17.18	39.14	29.18
	014	2.81	46.0	21.88	82.7	20.59	77.8	19.37	73.2	3.09	2.30	27.99	20.87	47.78	35.62
	015	3.08	50.5	23.99	90.7	22.83	86.3	21.56	81.5	3.21	2.40	30.30	22.60	51.36	38.30
	017	3.56	58.3	27.73	104.8	26.44	99.9	25.22	95.3	3.43	2.55	34.81	25.95	59.73	44.54
	020	3.89	63.8	30.34	114.7	29.05	109.8	27.84	105.2	3.58	2.66	37.86	28.23	65.07	48.52
	022	4.29	70.3	33.43	126.4	32.14	121.5	30.93	116.9	3.76	2.80	41.47	30.92	71.38	53.22
	025 ¹⁾	4.84	79.3	37.71	142.5	36.42	137.6	35.21	133.1	4.01	2.99	46.46	34.64	80.12	59.74
	028 ^{1,2)}	5.42	88.8	42.23	159.6	40.94	154.7	40.32	152.4	4.27	3.18	51.74	38.58	76.73	57.22
031 ^{1,2)}	6.10	100.0	47.56	179.7	46.27	174.9	45.65	172.5	4.58	3.41	57.95	43.21	86.06	64.17	
P2				p = 0 bar (0 psi)		p = 140 bar (2000 psi)		p = 300 bar (4350 psi)		p = 7 bar (100 psi)		p = 140 bar (2000 psi)		p = 300 bar (4350 psi)	
	B02	0.35	5.7	2.76	10.4	2.33	8.8	1.80	6.8	0.74	0.55	4.02	2.99	8.10	6.40
	B03	0.60	9.8	4.66	17.6	4.23	15.9	3.70	14.0	0.85	0.63	6.24	4.65	12.93	10.25
	B04	0.78	12.8	6.09	23.0	5.66	21.4	5.13	19.4	0.94	0.70	7.90	5.89	16.55	13.13
	B05	0.97	15.9	7.56	28.6	7.13	26.9	6.60	25.0	1.02	0.76	9.62	7.17	20.29	16.12
	B06	1.21	19.8	9.42	35.6	8.99	33.9	8.46	32.0	1.13	0.84	11.79	8.79	25.00	19.88
	B07	1.37	22.5	10.70	40.4	10.27	38.8	9.74	36.8	1.20	0.89	13.29	9.91	28.26	22.47
	B08	1.52	24.9	11.84	44.7	11.41	43.1	10.88	41.1	1.27	0.94	14.62	10.90	31.15	24.78
	B09	1.71	28.0	13.31	50.3	12.87	48.6	12.35	47.0	1.36	1.01	16.35	12.19	34.92	27.77
	B10	1.94	31.8	15.12	57.2	14.69	55.5	14.16	53.5	1.46	1.11	18.45	13.75	39.48	31.42
	B11 ³⁾	2.13	34.9	16.64	62.9	16.19	61.2	15.68	59.3	1.55	1.15	20.17	15.04	43.22	32.22
	B12 ³⁾	2.50	40.9	19.50	73.7	19.07	72.1	18.54	70.1	1.72	1.28	23.55	17.56	50.58	37.71
	B14 ³⁾	2.75	45.1	21.40	80.8	20.95	79.2	20.44	77.0	1.83	1.36	25.80	19.23	55.48	41.37
B15 ³⁾	3.05	50.0	23.78	89.8	23.35	88.3	22.88	86.5	1.97	1.47	28.55	21.28	-	-	

1) 025-028-031 = 2500 rpm max. 2) 028-031 = 210 bar (3000 psi) max. int.
3) B11-B12-B14 = 300 bar (4350 psi) & B15 = 280 bar (4060 psi) max. int. And Max. Speed = 3000 rpm
---- Not to use because internal leakage greater than 50 % theoretical flow.

P1 Side - B05-B22 Peak Pressure 300 bar
P2 Side - B02-B10 Peak Pressure 350 bar

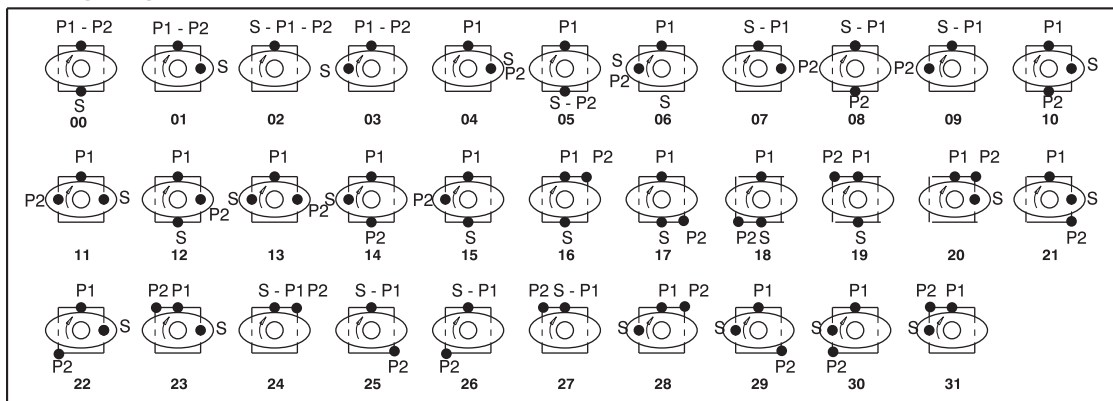
DIMENSIONS - S67CB SERIES

WEIGHT : 26.1 Kg.



Shaft torque limits in ³ /rev x psi(ml/rev x bar)	
Shaft	Vp x p max. (P1+P2)
1	12666 (14300)
2	18972 (21420)
3	28937 (32670)
5	18246 (20600)

Porting Diagrams





SARVA HYDRAULIK LLC

ORDERING CODE - S67DB SERIES

S67DB W - B42 - B07 1 R 00 - S 1 M1

Series- SAE C 2 bolts
Mounting flange J744c

severe duty shaft only

Cam ring for "P1"
Volumetric displacement cm³/rev (in³/rev)

B14 = 47.6 (2.90)	B35 = 111.0 (6.77)
B17 = 58.2 (3.55)	B38 = 120.3 (7.34)
B20 = 66.0 (4.03)	B42 = 136.0 (8.30)
B24 = 79.5 (4.85)	B45 = 145.7 (8.89)
B28 = 89.7 (5.47)	B50 = 158.0 (9.64)
B31 = 98.3 (6.00)	B61 = 190.5 (11.62)

Cam ring for "P2"
Volumetric displacement cm³/rev (in³/rev)

B02 = 5.7 (0.35)	B09 = 28.0 (1.71)
B03 = 9.8 (0.60)	B10 = 31.8 (1.94)
B04 = 12.8 (0.78)	B11 = 34.9 (2.13)
B05 = 15.9 (0.97)	B12 = 40.9 (2.50)
B06 = 19.8 (1.21)	B14 = 45.1 (2.75)
B07 = 22.5 (1.37)	B15 = 50.0 (3.05)
B08 = 24.9 (1.52)	

Mounting W/connection variables

P1=11" P2=3/4" S=3"	
UNC	METRIC
11	M1

Seal class
1 - S1 (for mineral oil)
4 - S4 (for fire resistant fluids)
5 - S5 (for mineral oil and fire resistant fluids)

Design letter

Porting combination
00 - standard

Direction of rotation (view on shaft end)
R - clockwise
L - counter-clockwise

Type of shaft
1 - keyed (SAE C)
2 - keyed (no SAE)
3 - splined (SAE C)
4 - splined (no SAE)

Sever duty (S67DBW only)
5 - keyed (no SAE)

OPERATING CHARACTERISTICS - TYPICAL (24 cST) (Input powerp (KW) for one cartridge only)

Pressure port	Series	Volumetric Displacement Vp		Flow q & n = 1800 rpm						Input power p & n = 1800 rpm					
				p = 0 bar (0 psi)		p = 140 bar (2000 psi)		p = 240 bar (3500 psi)		p = 7 bar (100 psi)		p = 140 bar (2000 psi)		p = 240 bar (3500 psi)	
				in ³ /rev	cm ³ /rev	gpm	lpm	gpm	lpm	gpm	lpm	hp	kw	hp	kw
P1	014	2.90	47.6	22.64	85.0	20.46	77.4	18.8	71.1	4.02	2.99	29.31	21.85	49.34	36.79
	017	3.55	58.2	23.1	87.3	20.6	78.0	18.99	71.8	3.35	2.5	29.77	22.2	49.62	37.0
	020	4.03	66.0	31.39	118.6	29.29	101.4	27.57	104.2	4.53	3.38	39.52	29.47	67.21	50.11
	024	4.85	79.5	37.81	142.8	35.63	134.6	33.99	128.5	4.91	3.66	47.02	35.06	80.32	59.89
	028	5.47	89.7	42.66	161.3	40.48	153.0	38.84	146.8	5.19	3.87	52.68	39.28	90.23	67.28
	031	6.00	98.3	46.75	176.7	44.57	168.5	42.93	162.3	5.43	4.09	57.45	42.84	98.58	73.51
	035	6.77	111.0	52.79	199.6	50.61	191.3	48.97	184.1	5.78	4.31	64.50	48.09	110.91	82.70
	038	7.34	120.3	57.21	216.3	55.03	208.1	53.39	201.8	6.04	4.50	69.66	51.94	111.94	83.47
	042 ¹⁾	8.30	136.0	64.68	244.5	62.50	236.3	60.86	230.1	6.47	4.83	78.37	58.44	135.19	100.81
	045 ¹⁾	8.89	145.7	69.29	261.9	67.11	253.7	65.47	247.5	6.74	5.02	83.75	62.45	144.61	107.83
	050 ¹⁾	9.64	158.0	75.14	284.1	72.96	275.8	-	-	7.08	5.27	90.58	67.54	-	-
				75.6	285.8	73.54 ³⁾	278.0 ³⁾	-	-	7.37	5.50	97.49 ³⁾	72.69 ³⁾	-	-
				p = 0 bar (0 psi)		p = 140 bar (2000 psi)		p = 300 bar (4350 psi)		p = 7 bar (100 psi)		p = 140 bar (2000 psi)		p = 300 bar (4350 psi)	
P2	B02	0.35	5.8	2.76	10.4	2.33	8.8	1.80	6.8	0.74	0.55	4.02	2.99	8.10	6.40
	B03	0.60	9.8	4.66	17.6	4.23	15.9	3.70	14.0	0.85	0.63	6.24	4.65	12.93	10.25
	B04	0.78	12.8	6.09	23.0	5.66	21.4	5.13	19.4	0.94	0.70	7.90	5.89	16.55	13.13
	B05	0.97	15.9	7.56	28.6	7.13	26.9	6.60	25.0	1.02	0.76	9.62	7.17	20.29	16.12
	B06	1.21	19.8	9.42	35.6	8.99	33.9	8.46	32.0	1.13	0.84	11.79	8.79	25.00	19.88
	B07	1.37	22.5	10.70	40.4	10.27	38.8	9.74	36.8	1.20	0.89	13.29	9.91	28.26	22.47
	B08	1.52	24.9	11.84	44.7	11.41	43.1	10.88	41.1	1.27	0.94	14.62	10.90	31.15	24.78
	B09	1.71	28.0	13.31	50.3	12.87	48.6	12.35	47.0	1.36	1.01	16.35	12.19	34.92	27.77
	B10	1.94	31.8	15.12	57.2	14.69	55.5	14.16	53.5	1.46	1.11	18.45	13.75	39.48	31.42
	B11	2.13	34.9	16.64	62.9	16.19	61.2	15.68	59.3	1.55	1.15	20.17	15.04	43.22	32.22
	B12	2.50	40.9	19.50	73.7	19.07	72.1	18.54	70.1	1.72	1.28	23.55	17.56	50.58	37.71
	B14	2.75	45.1	21.40	80.8	20.95	79.2	20.44	77.0	1.83	1.36	25.80	19.23	55.48	41.37
	B15	3.05	50.0	23.78	89.8	23.35	88.3	22.88 ⁴⁾	86.5 ⁴⁾	1.97	1.47	28.55	21.28	-	-

1) 042-045-050-061=2200 RPM max. 2) 050=210 bar (3000 psi) max.
3) 061 = 120 bar (1740 psi) max. int, 061 = 80 bar (1160 psi) cont.
4) B15 = 280 bar (4060 psi) max. int

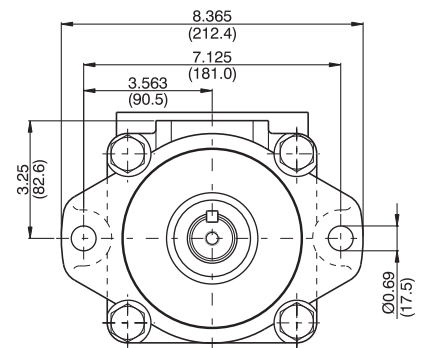
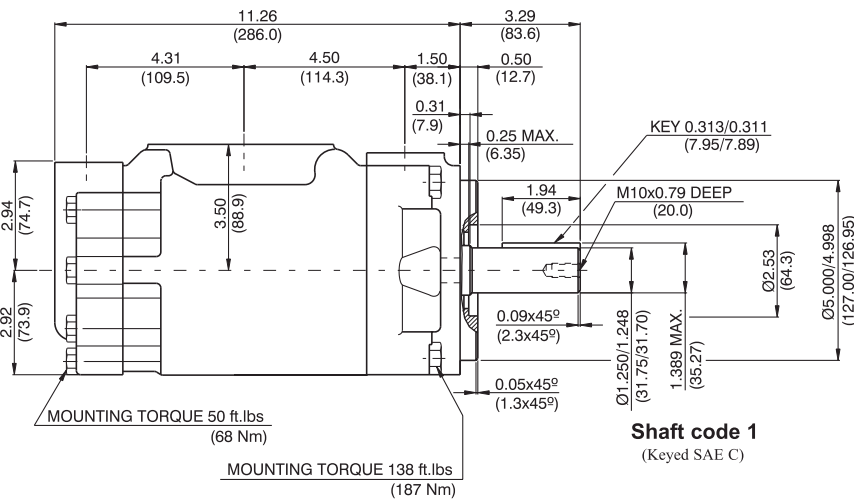
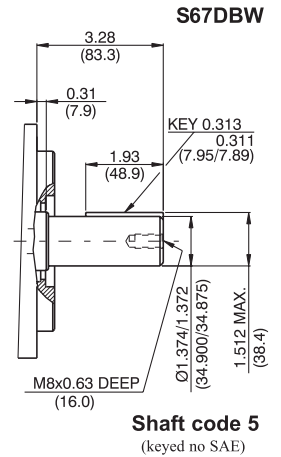
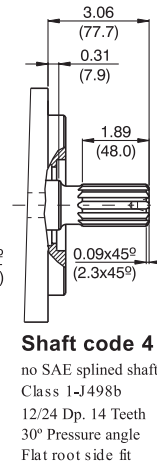
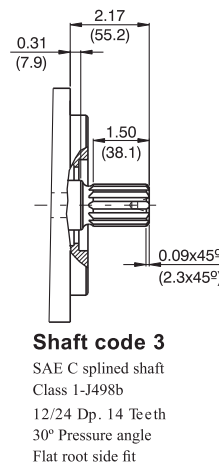
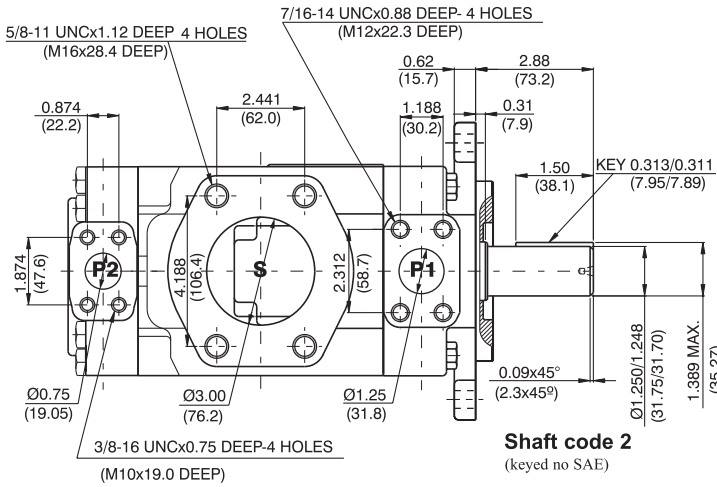
P1 Side - B14-B38 Peak Pressure 270 bar
P2 Side - B02-B10 Peak Pressure 350 bar



SARVA HYDRAULIK LLC

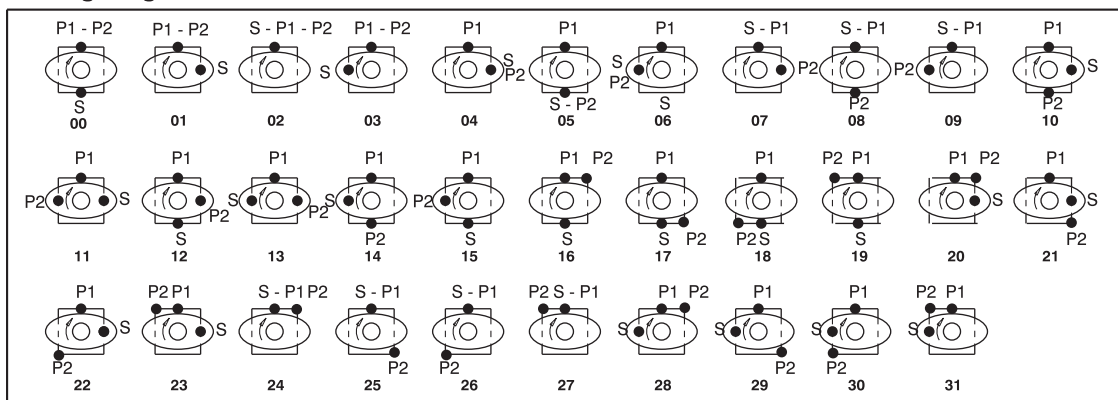
DIMENSIONS - S67DB SERIES

WEIGHT : 36.7 Kg.



Shaft torque limits in ³ /revxpsi(ml/revxbar)	
Shaft	V _p x p max. (P1+P2)
1	38299 (43240)
2	30638 (34590)
3	54207 (61200)
4	54207 (61200)
5	49247 (55600)

Porting Diagrams





SARVA HYDRAULIK LLC

ORDERING CODE - S67EB SERIES

S67EB - 066 - B08 1 R 00 - A 1 M1

Series- SAE C 2 bolts
Mounting flange J744c

Cam ring for "P1"
Volumetric displacement cm³/rev (in³/rev)

042 = 132.3 (8.07)	062 = 196.7 (12.00)
045 = 142.4 (8.69)	066 = 213.3 (13.02)
050 = 158.5 (9.67)	072 = 227.1 (13.86)
052 = 164.8 (10.06)	085 = 269.8 (16.46)
057 = 180.7 (11.02)	

Cam ring for "P2"
Volumetric displacement cm³/rev (in³/rev)

B02 = 5.7 (0.35)	B09 = 28.0 (1.71)
B03 = 9.8 (0.60)	B10 = 31.8 (1.94)
B04 = 12.8 (0.78)	B11 = 34.9 (2.13)
B05 = 15.9 (0.97)	B12 = 40.9 (2.50)
B06 = 19.8 (1.21)	B14 = 45.1 (2.75)
B07 = 22.5 (1.37)	B15 = 50.0 (3.05)
B08 = 24.9 (1.52)	

Type of shaft

- 1 - keyed (SAE CC)
- 2 - keyed (no SAE)
- 3 - splined (SAE C)
- 4 - splined (SAE CC)

Mounting W/connection variables

P1=1-1/2" P2=3/4" S=3-1/2"	
UNC	METRIC
01	M1

Seal class

- 1 - S1 (for mineral oil)
- 4 - S4 (for fire resistant fluids)
- 5 - S5 (for mineral oil and fire resistant fluids)

Design letter

Porting combination (see page BM-1-5)
00 - standard

Direction of rotation (view on shaft end)

- R - clockwise
- L - counter-clockwise

OPERATING CHARACTERISTICS - TYPICAL (24 cST) (Input power p (KW) for one cartridge only)

Pressure port	Series	Volumetric Displacement V _p		Flow q & n = 1800 rpm						Input power p & n = 1800 rpm					
				p = 0 bar (0 psi)		p = 140 bar (2000 psi)		p = 240 bar (3500 psi)		p = 7 bar (100 psi)		p = 140 bar (2000 psi)		p = 240 bar (3500 psi)	
		in ³ /rev	cm ³ /rev	gpm	lpm	gpm	lpm	gpm	lpm	hp	kw	hp	kw	hp	kw
P1	042	8.07	132.3	62.92	237.8	60.37	228.2	58.52	221.2	8.09	6.03	78.44	58.49	133.80	99.78
	045	8.69	142.4	67.72	256.0	65.17	246.3	63.32	239.4	8.37	6.24	84.04	62.67	143.60	107.08
	050	9.67	158.5	75.38	285.0	72.83	275.3	70.98	268.3	8.82	6.58	92.97	69.30	159.24	118.7
	052	10.06	164.8	78.37	296.2	75.82	286.3	73.97	279.6	8.99	6.70	96.47	71.94	165.36	121.31
	057	11.02	180.7	71.70	325.3	69.07	261.1	80.63	304.8	9.40	7.00	114.30	85.14	172.10	128.30
	062	12.00	196.7	93.54	353.6	90.99	344.0	89.14	337.0	9.88	7.36	114.17	84.00	196.34	146.41
	066	13.02	213.3	101.44	383.4	98.89	373.8	97.04	366.8	10.34	7.71	123.38	92.01	212.46	158.43
	072	13.86	227.1	108.00	408.2	105.45	400.0	-	-	10.72	8.00	131.04	97.72	-	-
	085 ^{1,2)}	16.40	268.7	127.08	483.0	126.13	476.7	-	-	11.66	8.70	87.56	65.30	-	-
P2				p = 0 bar (0 psi)		p = 140 bar (2000 psi)		p = 300 bar (4350 psi)		p = 7 bar (100 psi)		p = 140 bar (2000 psi)		p = 300 bar (4350 psi)	
	B02	0.35	5.7	2.76	10.4	2.33	8.8	1.80	6.8	0.74	0.55	4.02	2.99	8.10	6.40
	B03	0.60	9.8	4.66	17.6	4.23	15.9	3.70	14.0	0.85	0.63	6.24	4.65	12.93	10.25
	B04	0.78	12.8	6.09	23.0	5.66	21.4	5.13	19.4	0.94	0.70	7.90	5.89	16.55	13.13
	B05	0.97	15.9	7.56	28.6	7.13	26.9	6.60	25.0	1.02	0.76	9.62	7.17	20.29	16.12
	B06	1.21	19.8	9.42	35.6	8.99	33.9	8.46	32.0	1.13	0.84	11.79	8.79	25.00	19.88
	B07	1.37	22.5	10.70	40.4	10.27	38.8	9.74	36.8	1.20	0.89	13.29	9.91	28.26	22.47
	B08	1.52	24.9	11.84	44.7	11.41	43.1	10.88	41.1	1.27	0.94	14.62	10.90	31.15	24.78
	B09	1.71	28.0	13.31	50.3	12.87	48.6	12.35	47.0	1.36	1.01	16.35	12.19	34.92	27.77
	B10	1.94	31.8	15.12	57.2	14.69	55.5	14.16	53.5	1.46	1.11	18.45	13.75	39.48	31.42
	B11 ³⁾	2.13	34.9	16.64	62.9	16.19	61.2	15.68	59.3	1.55	1.15	20.17	15.04	43.22	32.22
	B12 ³⁾	2.50	40.9	19.50	73.7	19.07	72.1	18.54	70.1	1.72	1.28	23.55	17.56	50.58	37.71
	B14 ³⁾	2.75	45.1	21.40	80.8	20.95	79.2	20.44	77.0	1.83	1.36	25.80	19.23	55.48	41.37
	B15 ³⁾	3.05	50.0	23.78	89.8	23.35	88.3	22.88	86.5	1.97	1.47	28.55	21.28	-	-

1) 085 = 2000 RPM max. 2) 085=75 bar (1087 psi)cont. 085=90 bar (1300 psi) max. int.
3) B11-B12-B14 = 300 bar (4350 psi) & B15 = 280 bar (4060 psi) max. int. And Max. Speed = 3000 rpm

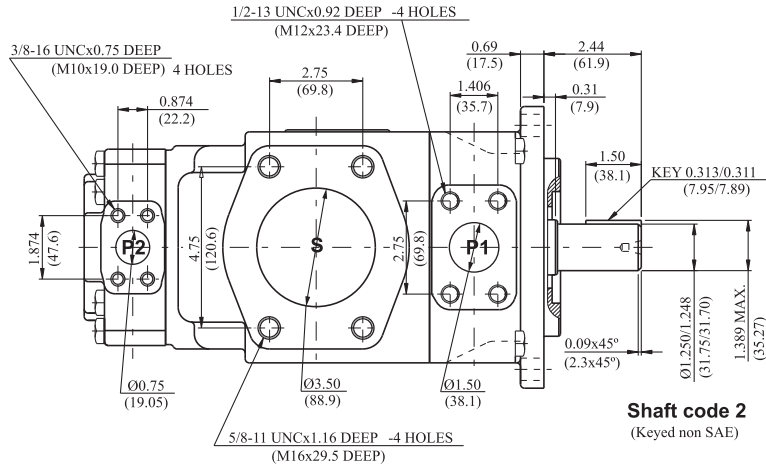
P2 Side - B02-B10 Peak Pressure 350 bar



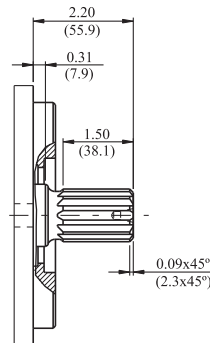
SARVA HYDRAULIK LLC

DIMENSIONS - S67EB SERIES

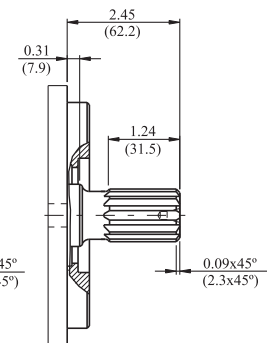
WEIGHT : 55.2 Kg.



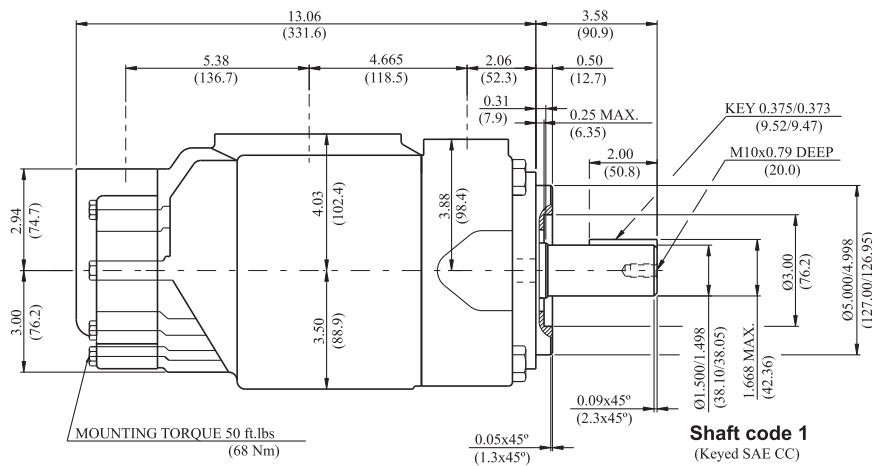
Shaft code 2
(Keyed non SAE)



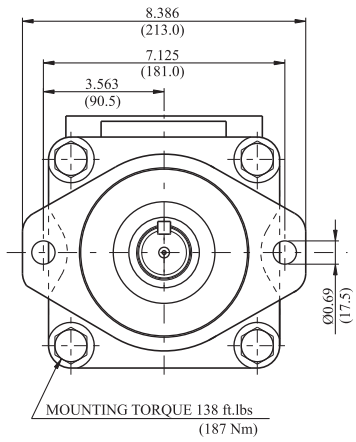
Shaft code 3
SAE C splined shaft
Class 1-J498b
12/24 dp. 14 teeth
30° pressure angle
Flat root side fit



Shaft code 4
SAE CC splined shaft
Class 1-J498b
12/24 dp. 17 teeth
30° pressure angle
Flat root side fit



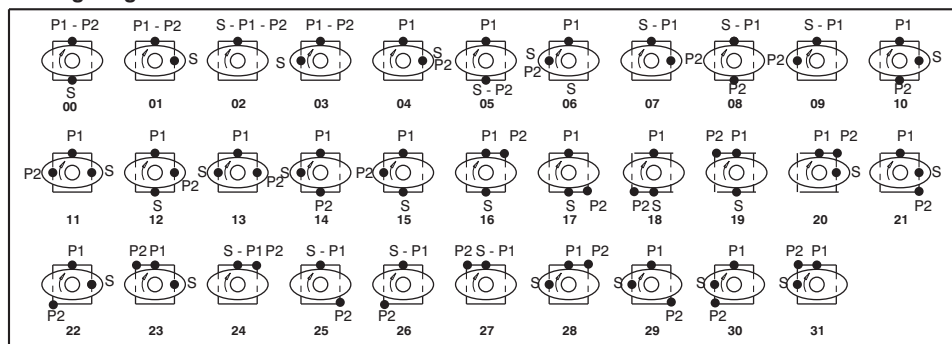
Shaft code 1
(Keyed SAE CC)



MOUNTING TORQUE 138 ft.lbs (187 Nm)

Shaft torque limits in ² /rev x psi (ml/rev x bar)	
Shaft	Vp x p max. (P1+P2)
1	64044 (72306)
2	30638 (34590)
3	54207 (61200)
4	67582 (76376)

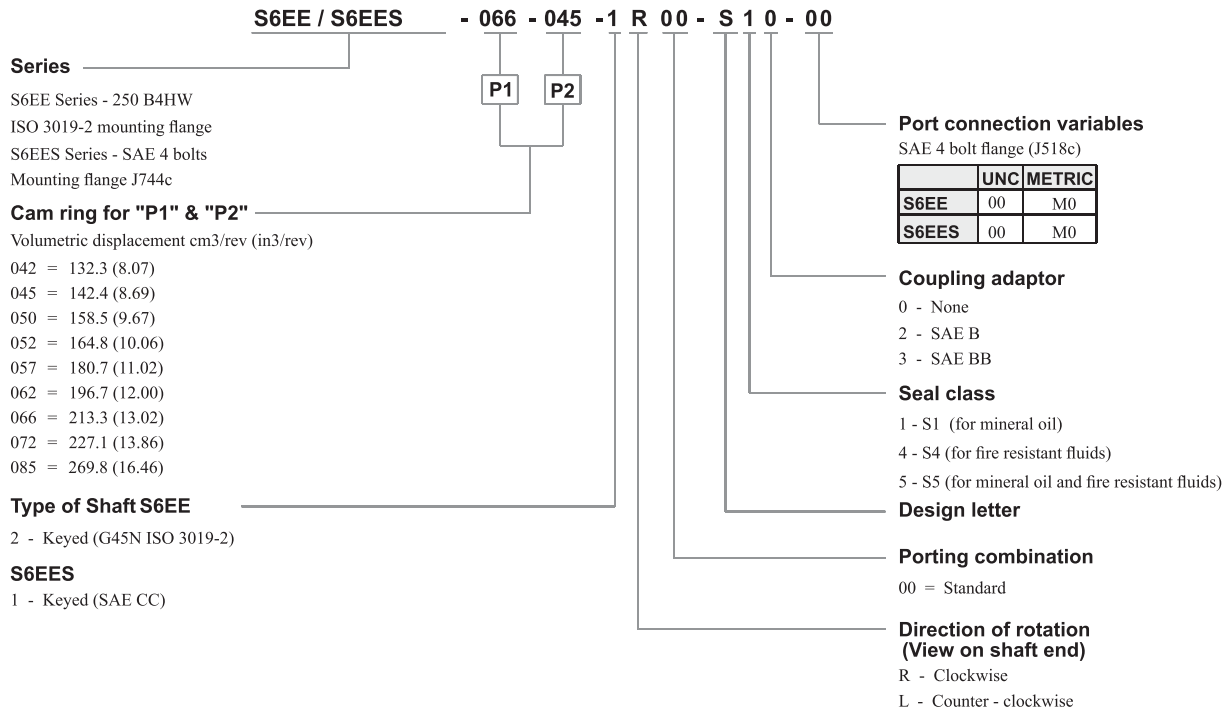
Porting Diagrams





SARVA HYDRAULIK LLC

ORDERING CODE - S6EE / S6EES SERIES



OPERATING CHARACTERISTICS - TYPICAL (24 cST) (Input power p (KW) for one cartridge only)

Pressure port	Series	Volumetric Displacement V _p		Flow q & n = 1500 rpm						Input power p & n = 1500 rpm					
				p = 0 bar (0 psi)		p = 140 bar (2000 psi)		p = 240 bar (3500 psi)		p = 7 bar (100 psi)		p = 140 bar (2000 psi)		p = 240 bar (3500 psi)	
		in ³ /rev	cm ³ /rev	gpm	lpm	gpm	lpm	gpm	lpm	hp	kw	hp	kw	hp	kw
P1 & P2	042	8.07	132.3	52.50	198.5	49.87	188.5	47.96	181.3	6.97	5.2	66.25	49.4	110.77	82.6
	045	8.70	142.4	56.51	213.6	53.86	203.6	51.98	196.5	7.24	5.4	70.94	52.9	118.95	88.7
	050	9.67	158.5	62.88	237.7	60.24	227.7	58.36	220.6	7.64	5.7	78.45	58.5	131.82	98.3
	052	10.00	164.8	65.40	247.2	62.75	237.2	60.87	230.1	7.78	5.8	81.53	60.8	136.92	102.1
	057	11.02	180.7	71.71	271.1	69.07	261.1	67.19	254.0	8.18	6.1	89.04	66.4	143.35	106.9
	062	12.00	196.7	78.04	295.0	75.40	285.0	73.52	277.9	8.58	6.4	96.42	71.9	162.67	121.3
	066	13.00	213.3	84.63	319.9	81.98	309.9	80.11	302.8	8.98	6.7	104.20	77.7	175.94	131.2
	072	13.86	227.1	90.11	340.6	87.46	330.6	-	-	9.25	6.9	110.77	82.6	-	-
	085 ^{1,2)}	16.40	269.8	107.00	404.7	105.21	397.7	-	-	9.78	7.3	87.56	65.3	-	-

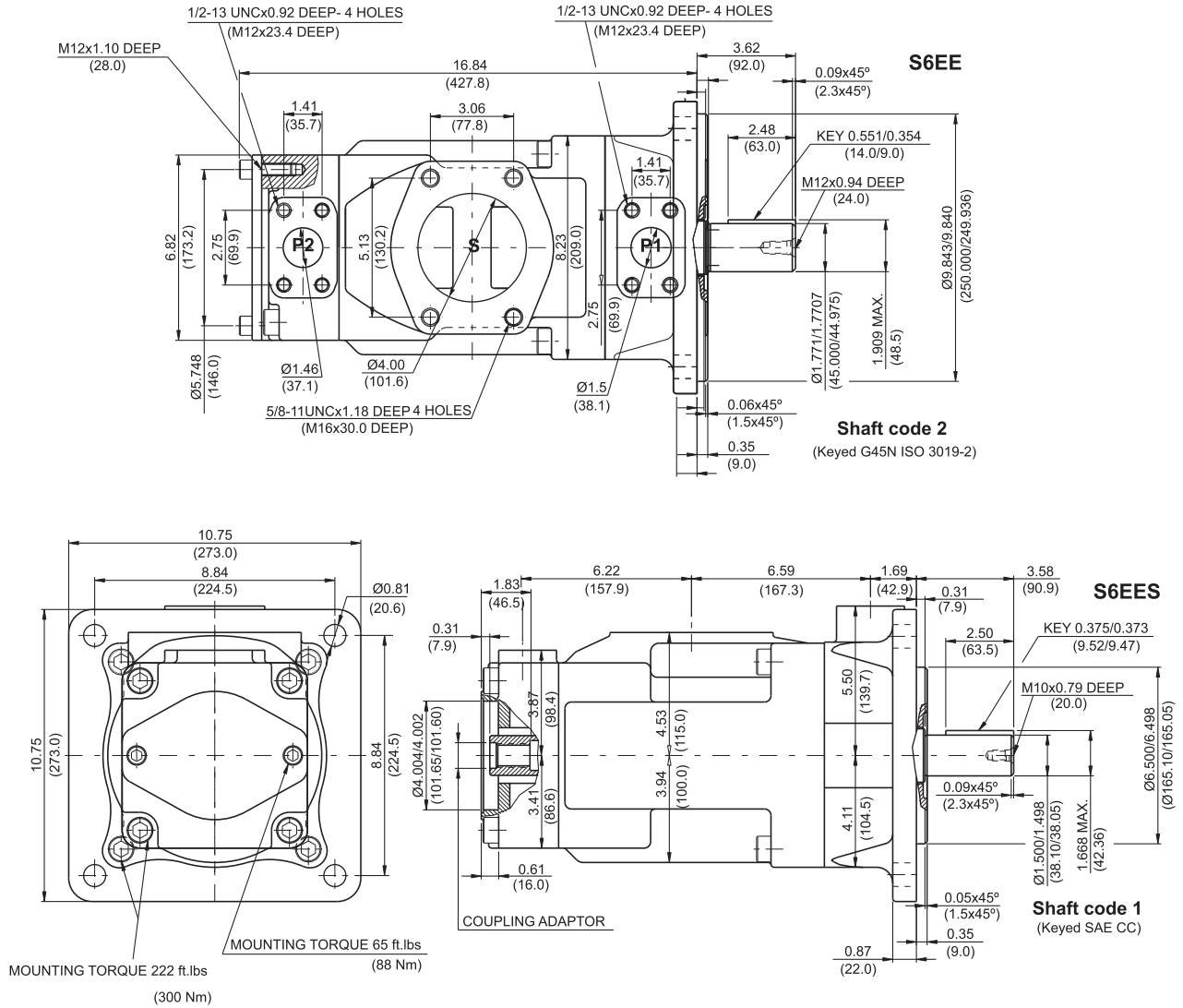
1) 085 = 2000 RPM max.

2) 085 = 75 bar (1100 psi) cont.

085 = 90 bar (1300 psi) max. int.

DIMENSIONS - S6EE / S6EES SERIES

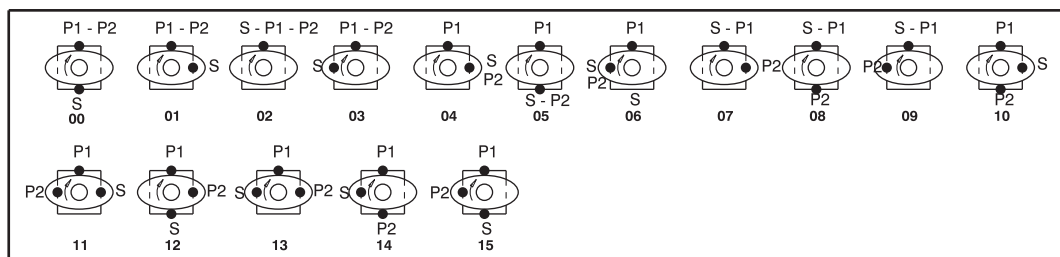
WEIGHT : 95.1 Kg.



Shaft torque limits in ³ /rev x psi (ml/rev x bar)			
Shaft	Vi x p Max.	Copling	Vi x p Max.
1	80053 (90380)	SAE-B	18246 (20600)
2	101506 (114600)	SAE-BB	28937 (32670)

Code	Coupling adaptor
0	Without coupling
2	SAE B-13 teeth -pitch 16/32 Major dia (min) 0.875 (22.225) Minor dia (min.) 0.753 (19.126)
3	SAE BB-15 teeth -pitch 16/32 Major dia (min) 1.00 (25.4) Minor dia (min.) 0.877 (22.275)

Porting Diagrams

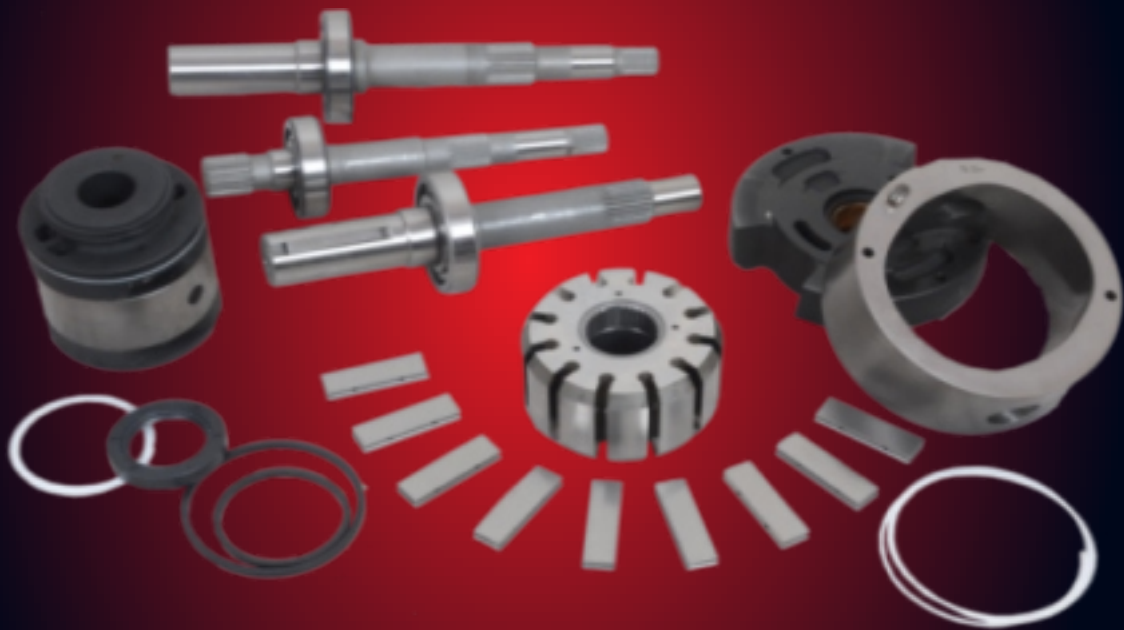




Sarva original products are 100% interchangeable with OEM products.

We are committed to high quality, zero defects.

We want to be the preferred supplier for all your vane product needs.



Web. : www.sarvahydraulik.com